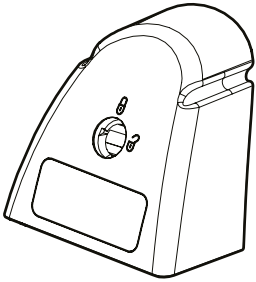
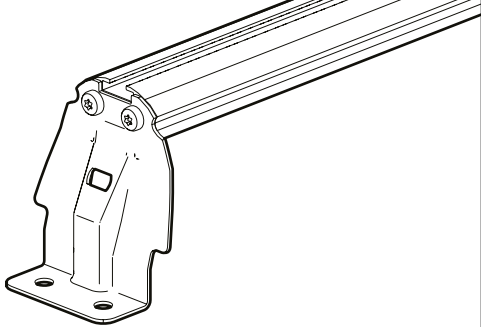
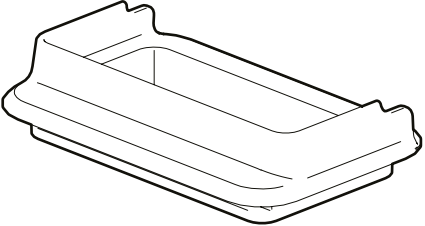
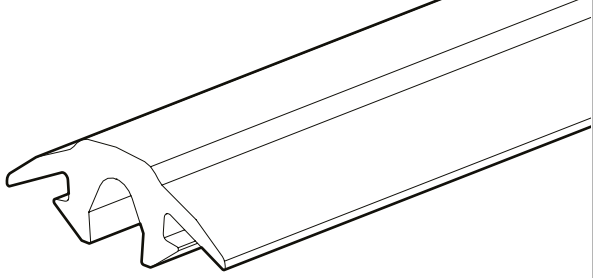


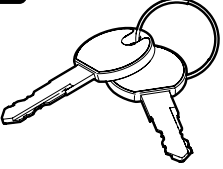
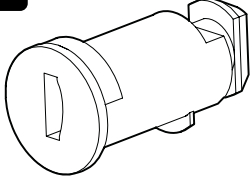
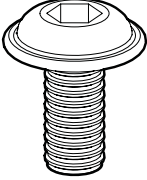
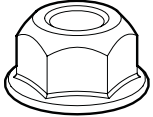
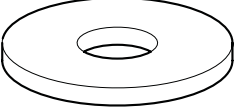
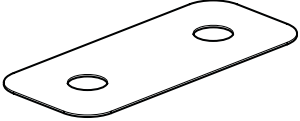

MOUNTAIN TOP® CARGO CARRIER

Installation manual

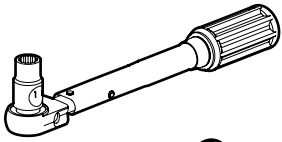
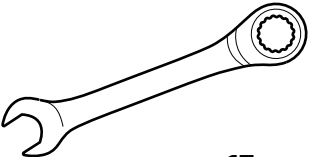
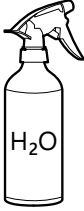
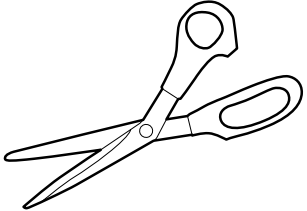
Parts

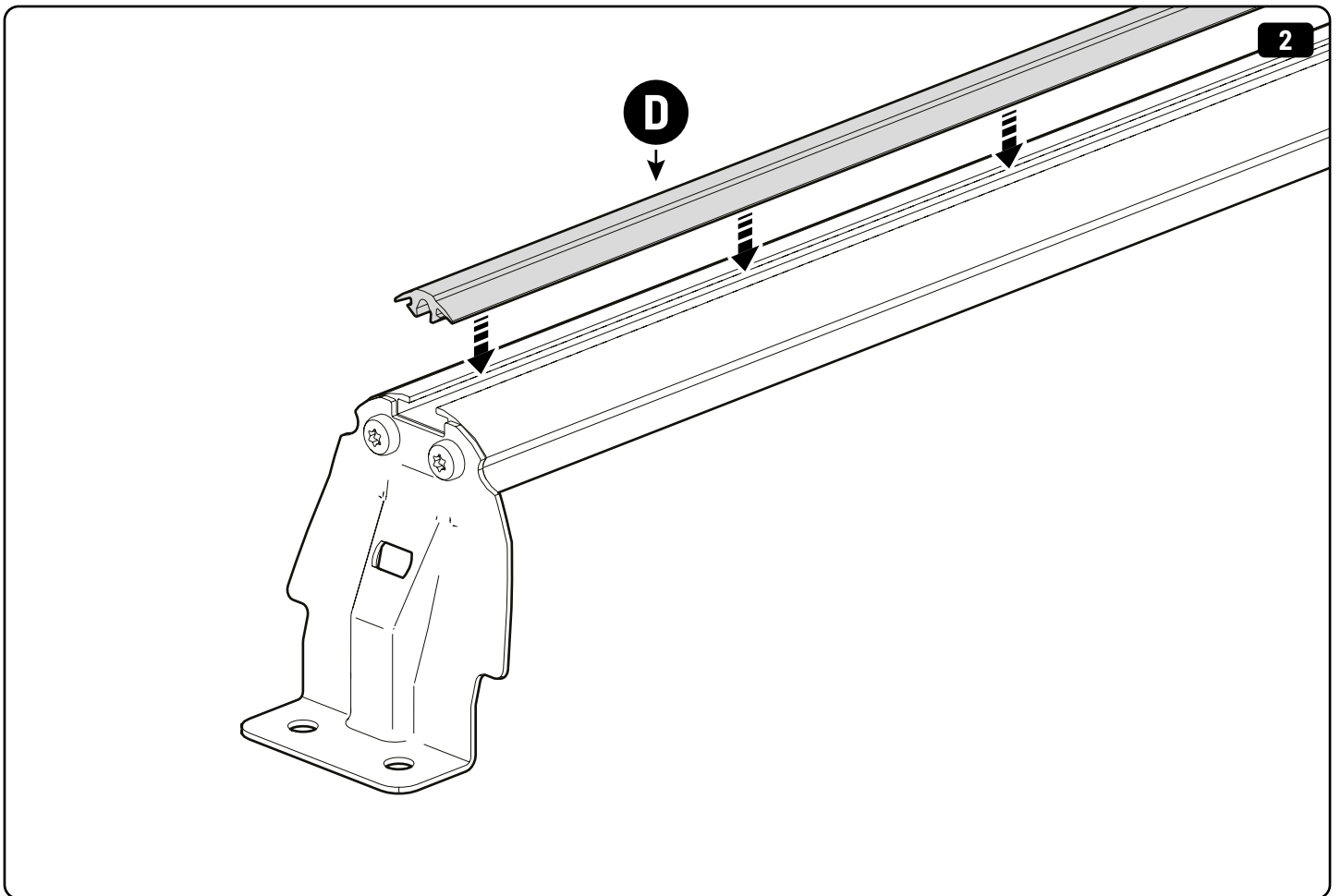
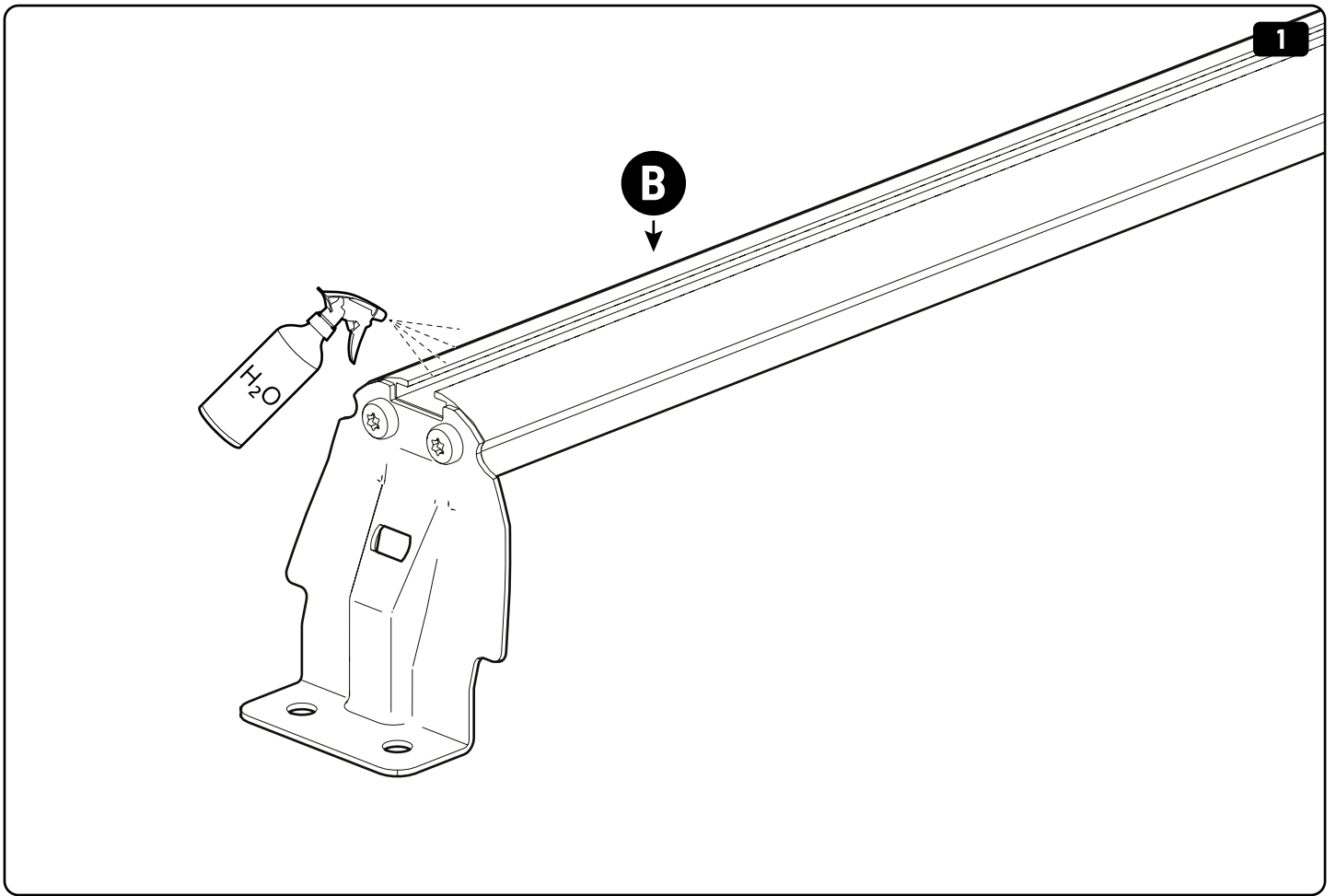
<p>A</p>  <p>x 4</p>	<p>B</p>  <p>x 2</p>
<p>C</p>  <p>x 4</p>	<p>D</p>  <p>x 2</p>

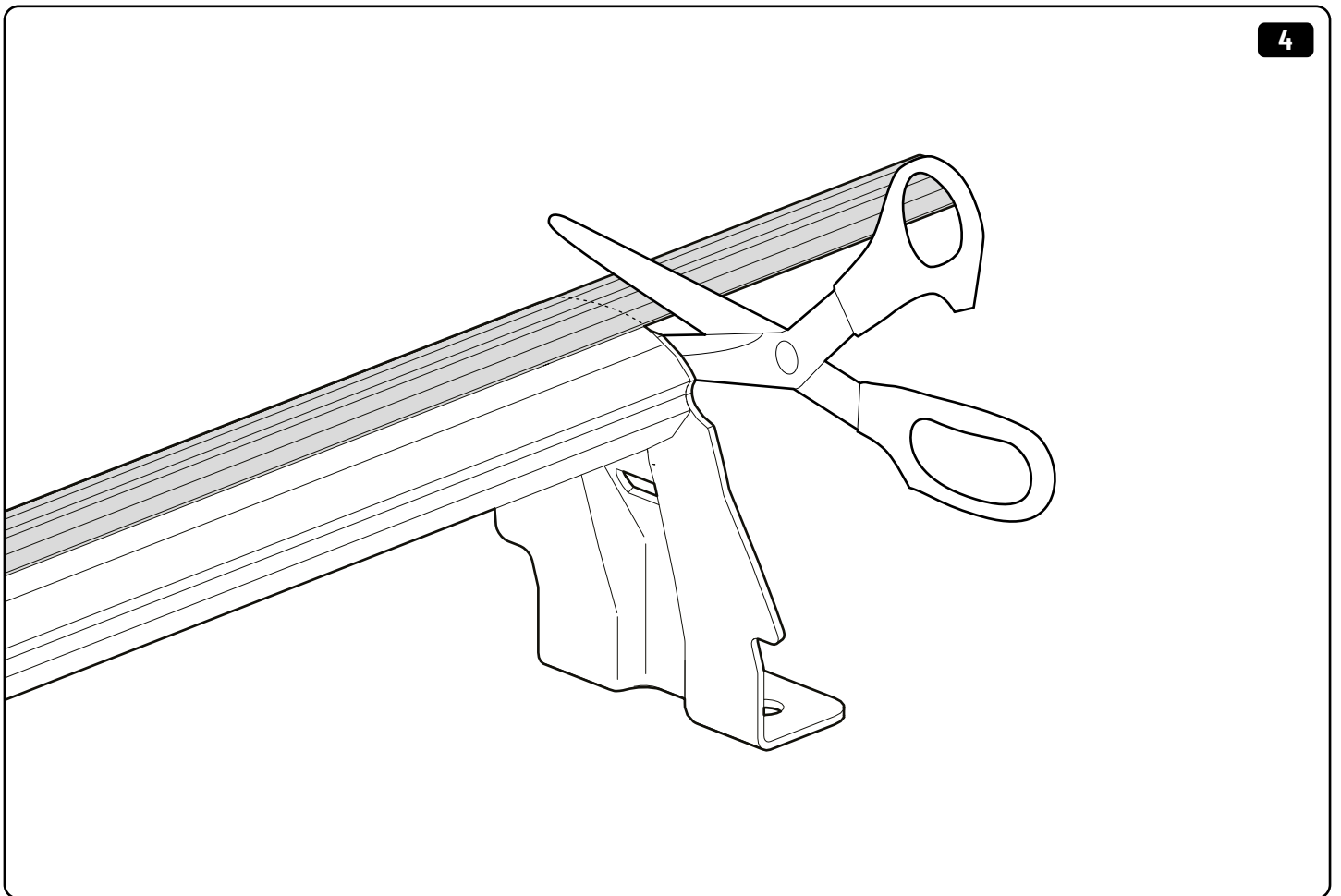
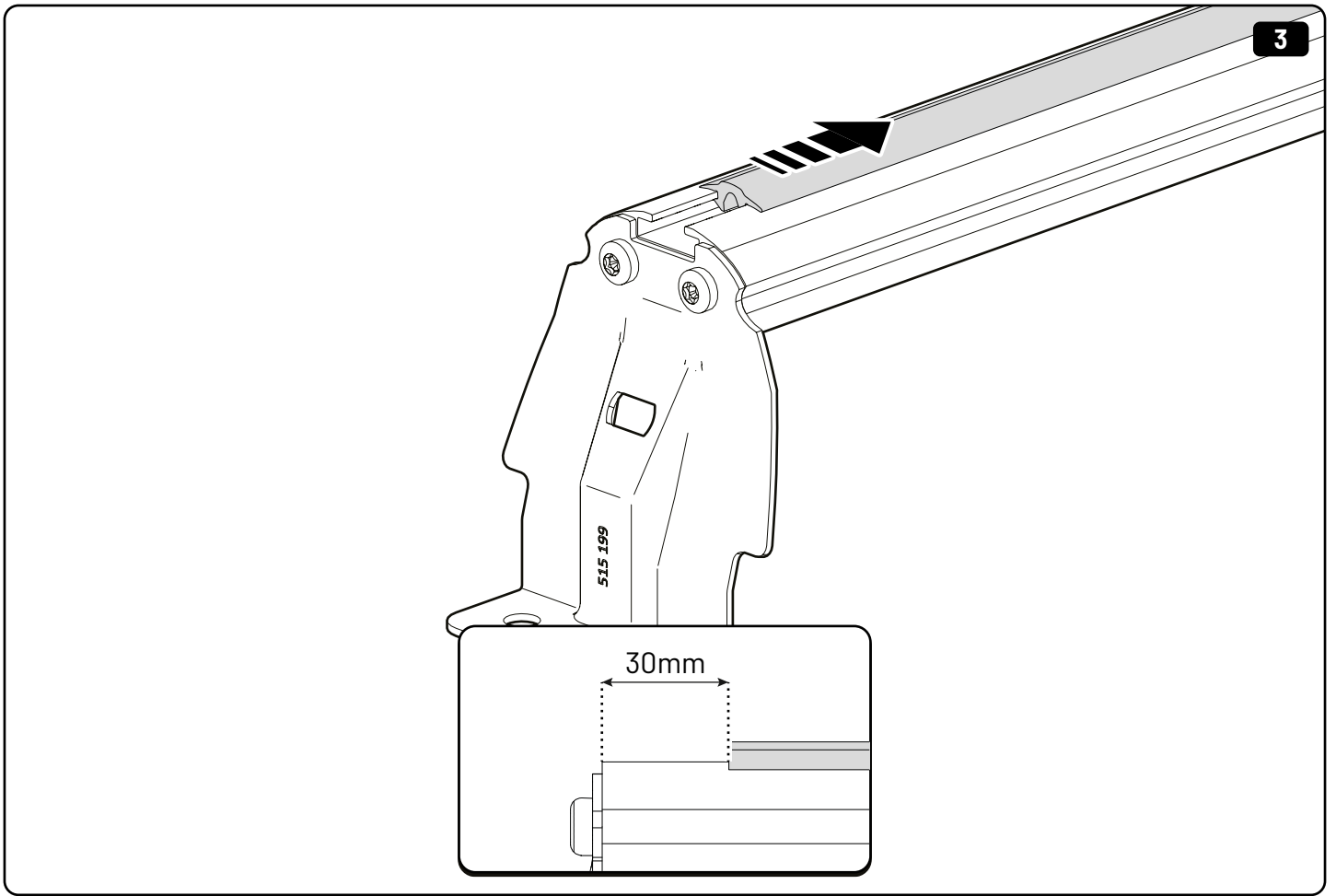
Kit

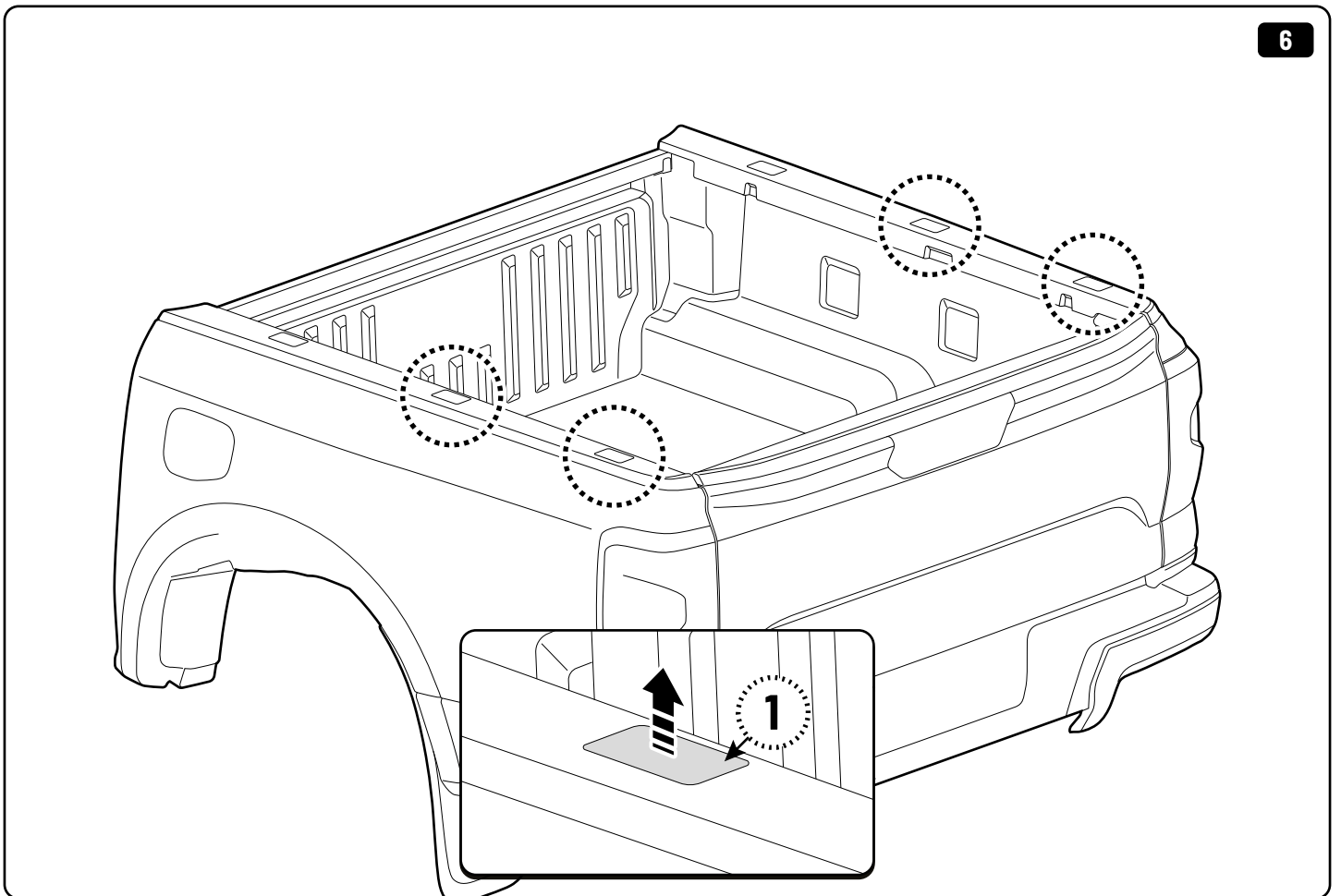
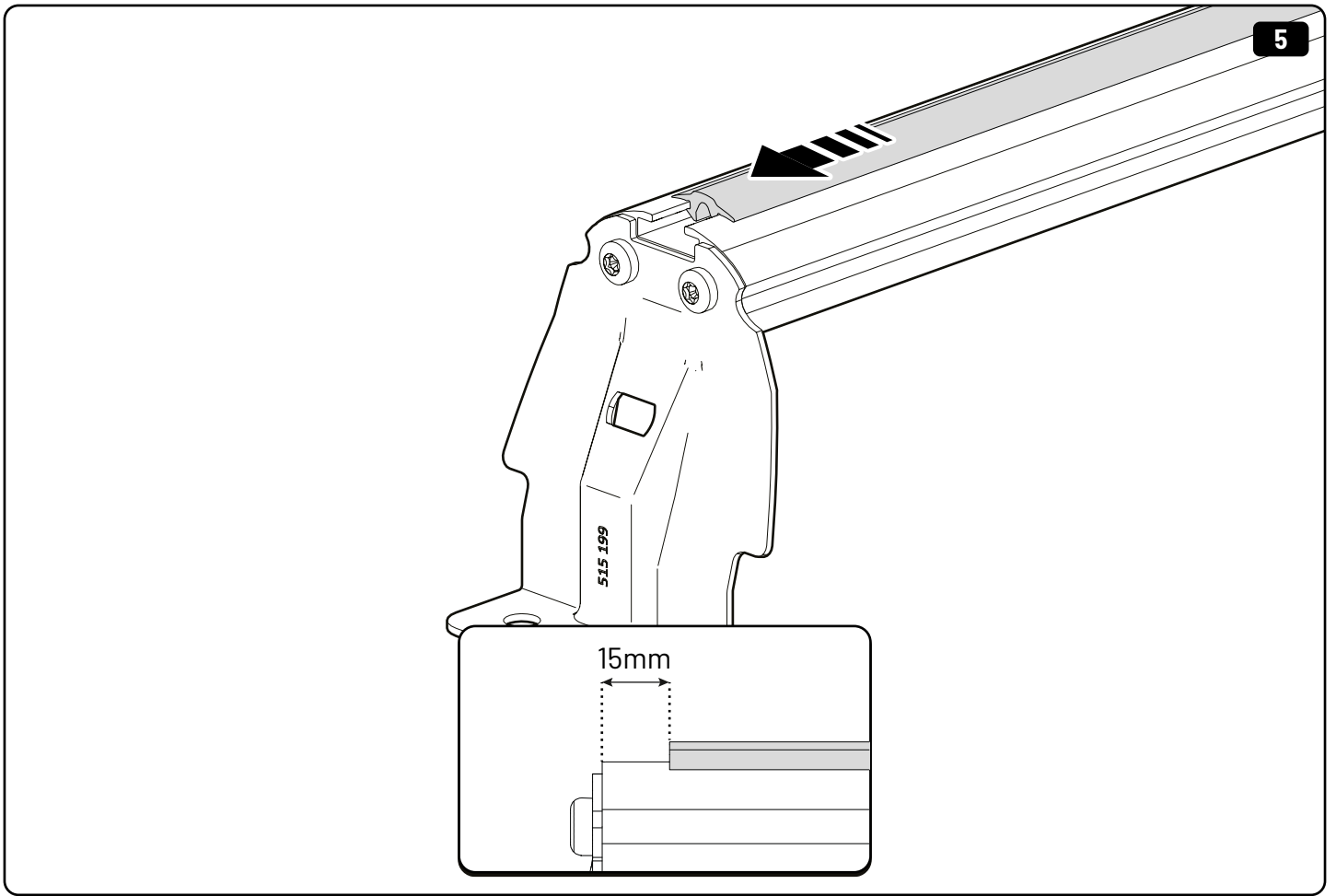
<p>E</p>  <p>x 1</p>	<p>F</p>  <p>x 4</p>	<p>G</p>  <p>M8x20</p> <p>x 8</p>	<p>H</p>  <p>M8</p> <p>x 8</p>
<p>I</p>  <p>M8</p> <p>x 8</p>	<p>J</p>  <p>x 4</p>	<p>K</p>  <p>Manual</p> <p>x 1</p>	

Tools and materials needed

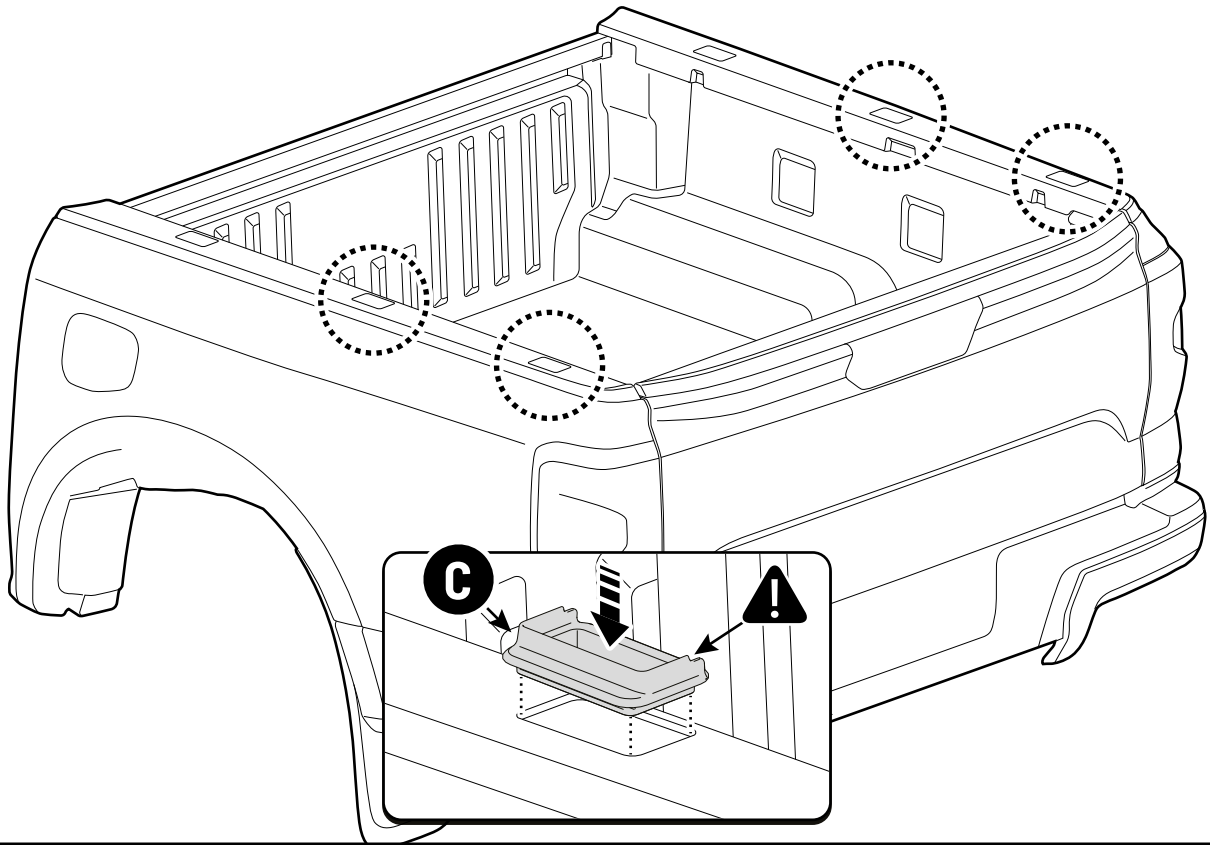
<p>1 - 25 Nm</p>  <p>T40</p>	 <p>13mm</p>	 <p>H₂O</p>	
--	--	--	---



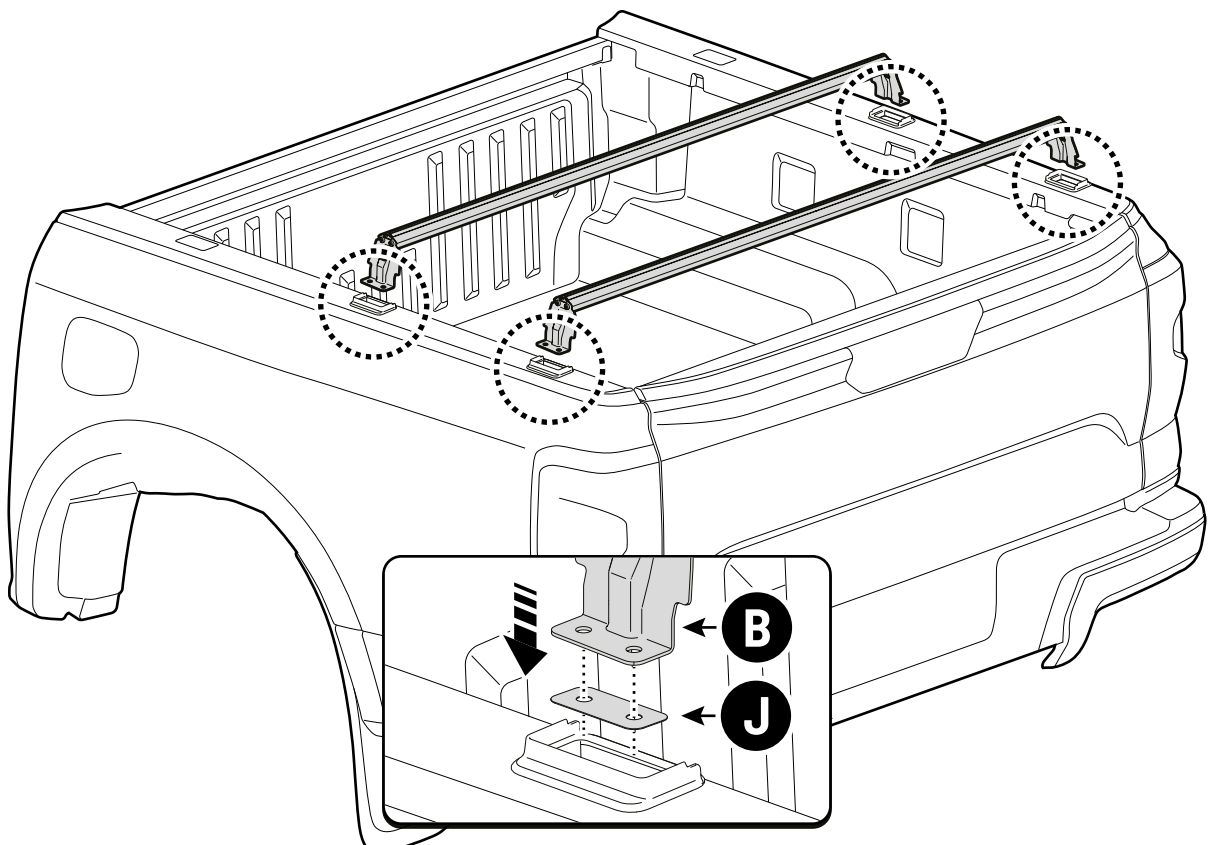




7



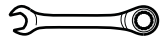
8



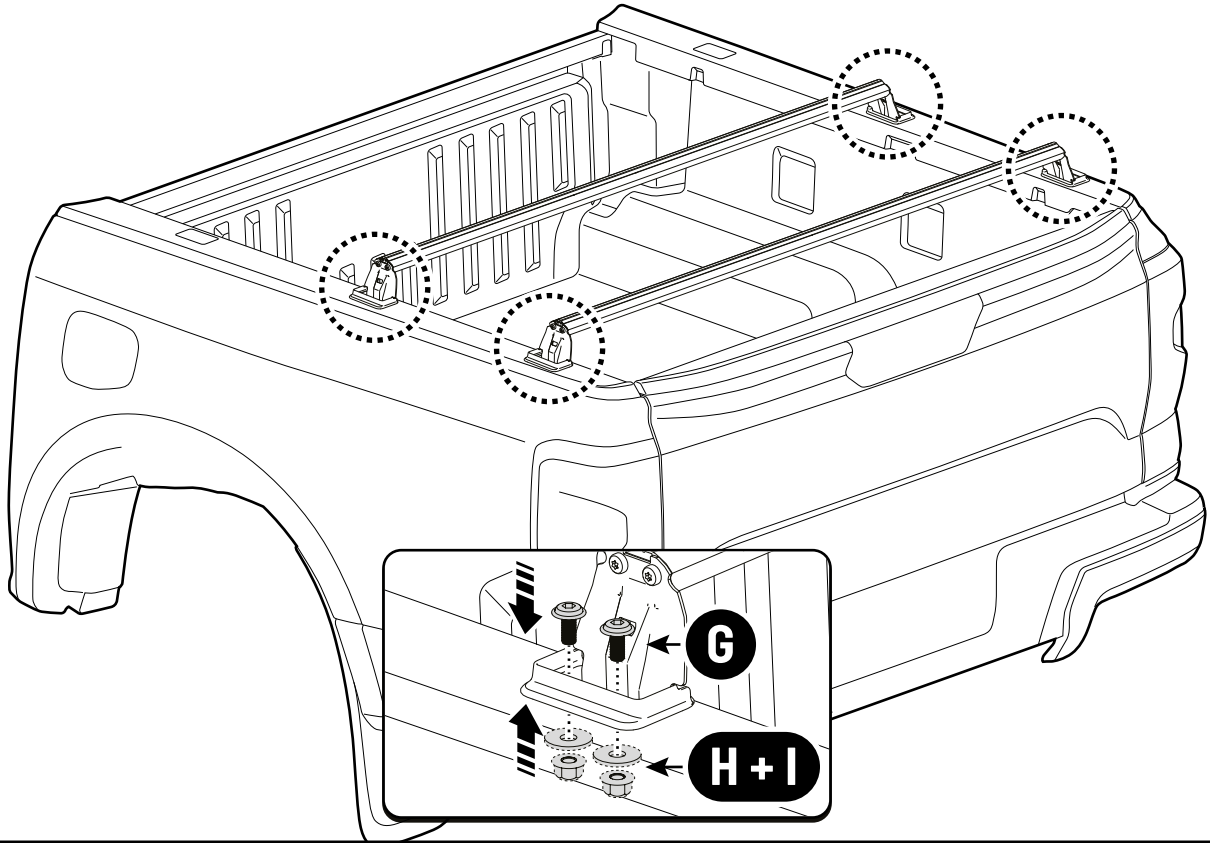


T40

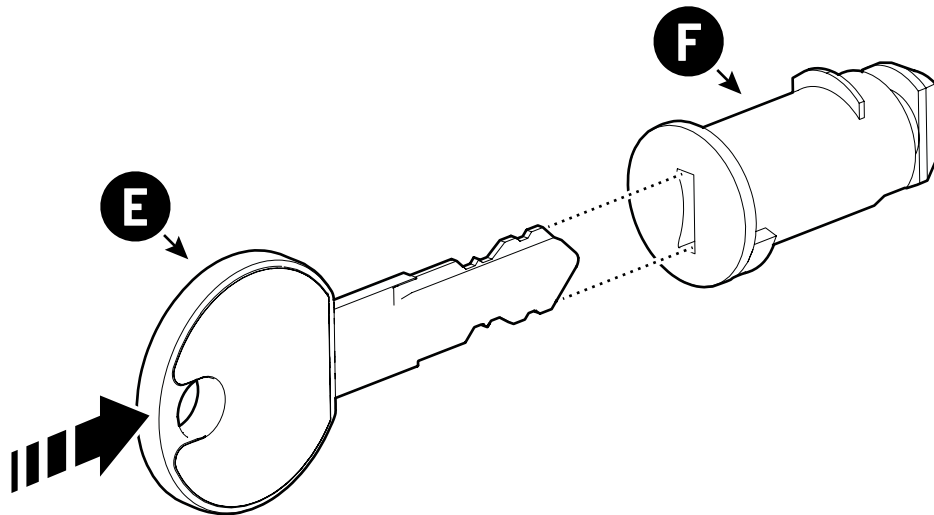
25Nm



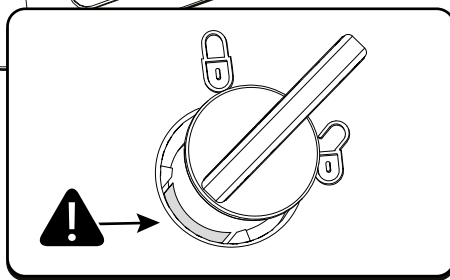
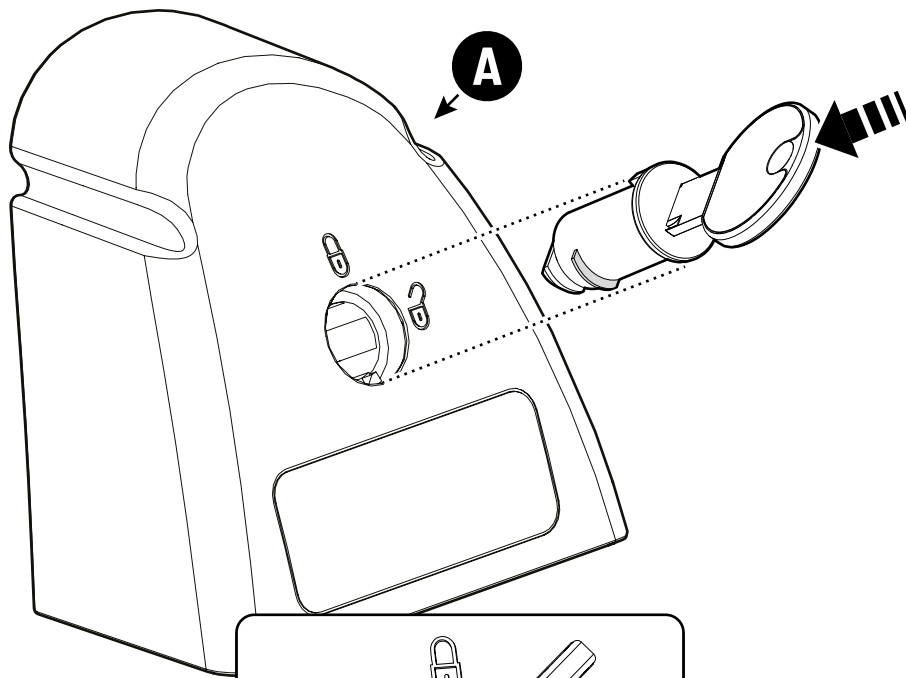
9



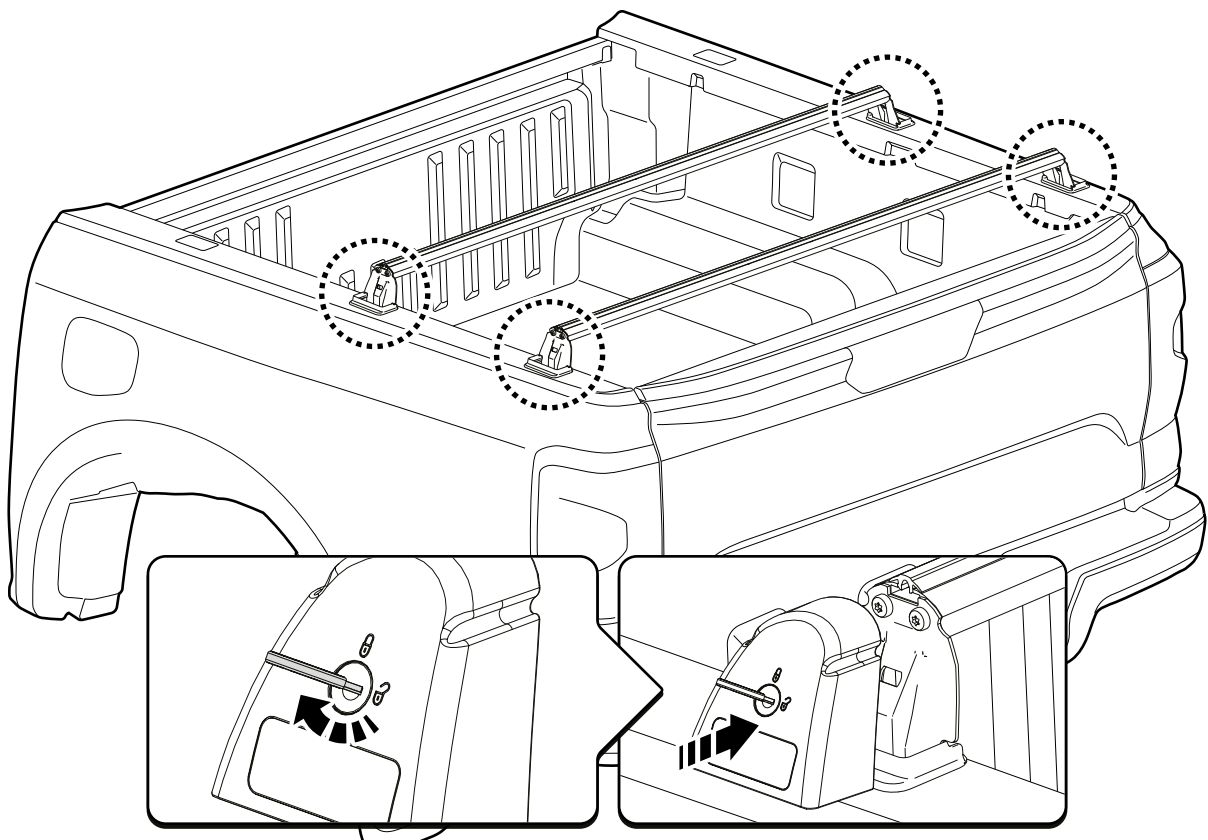
10

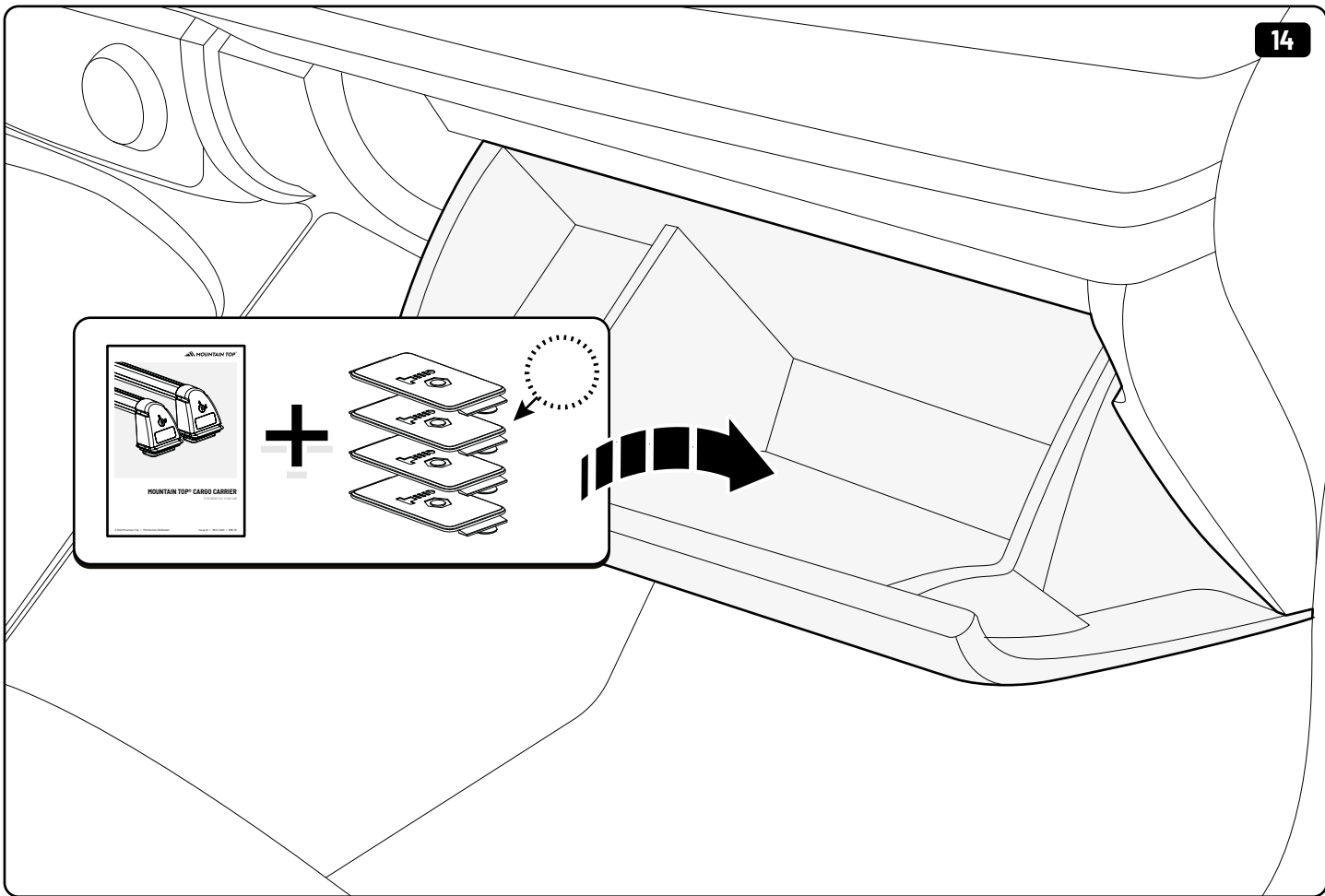
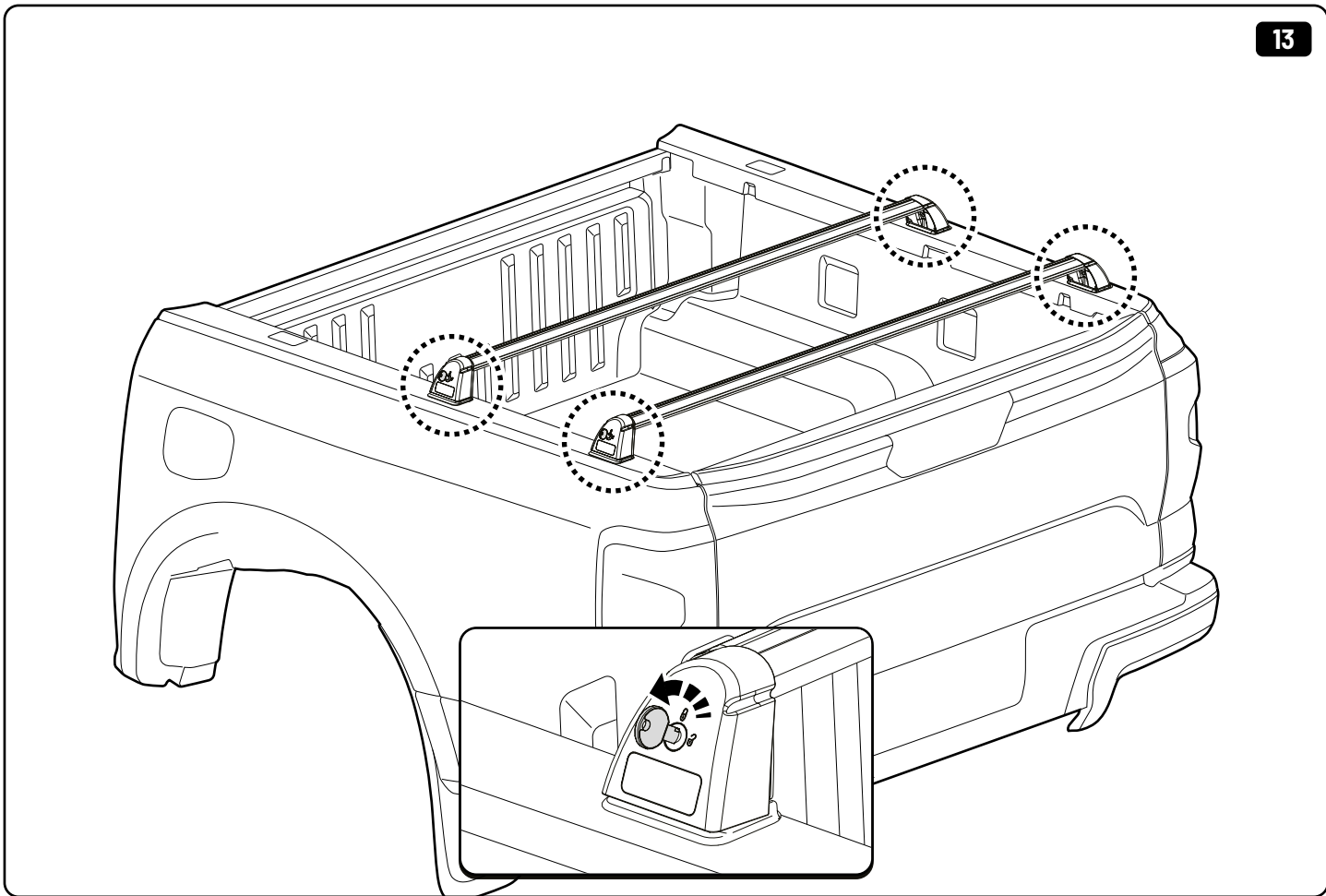


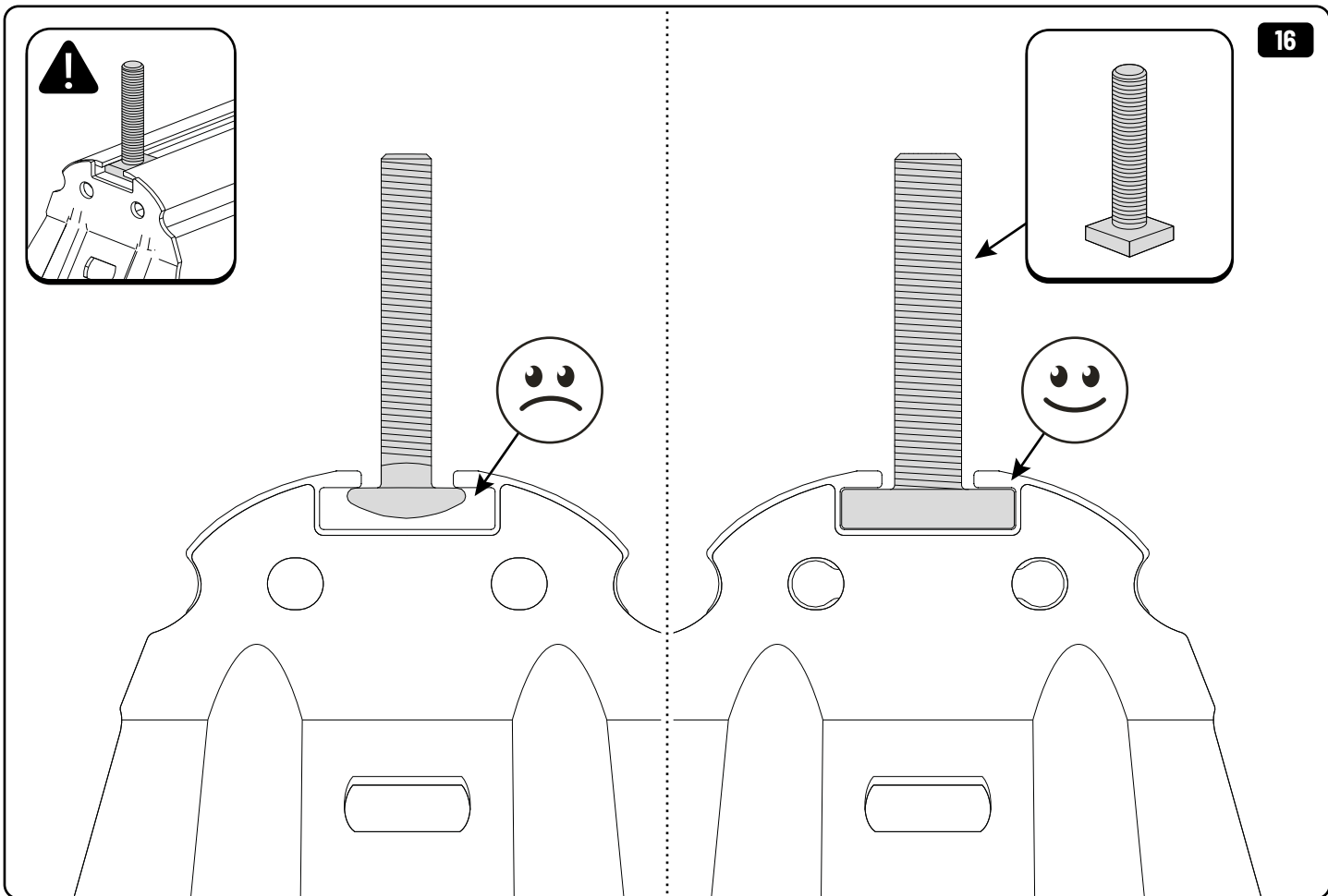
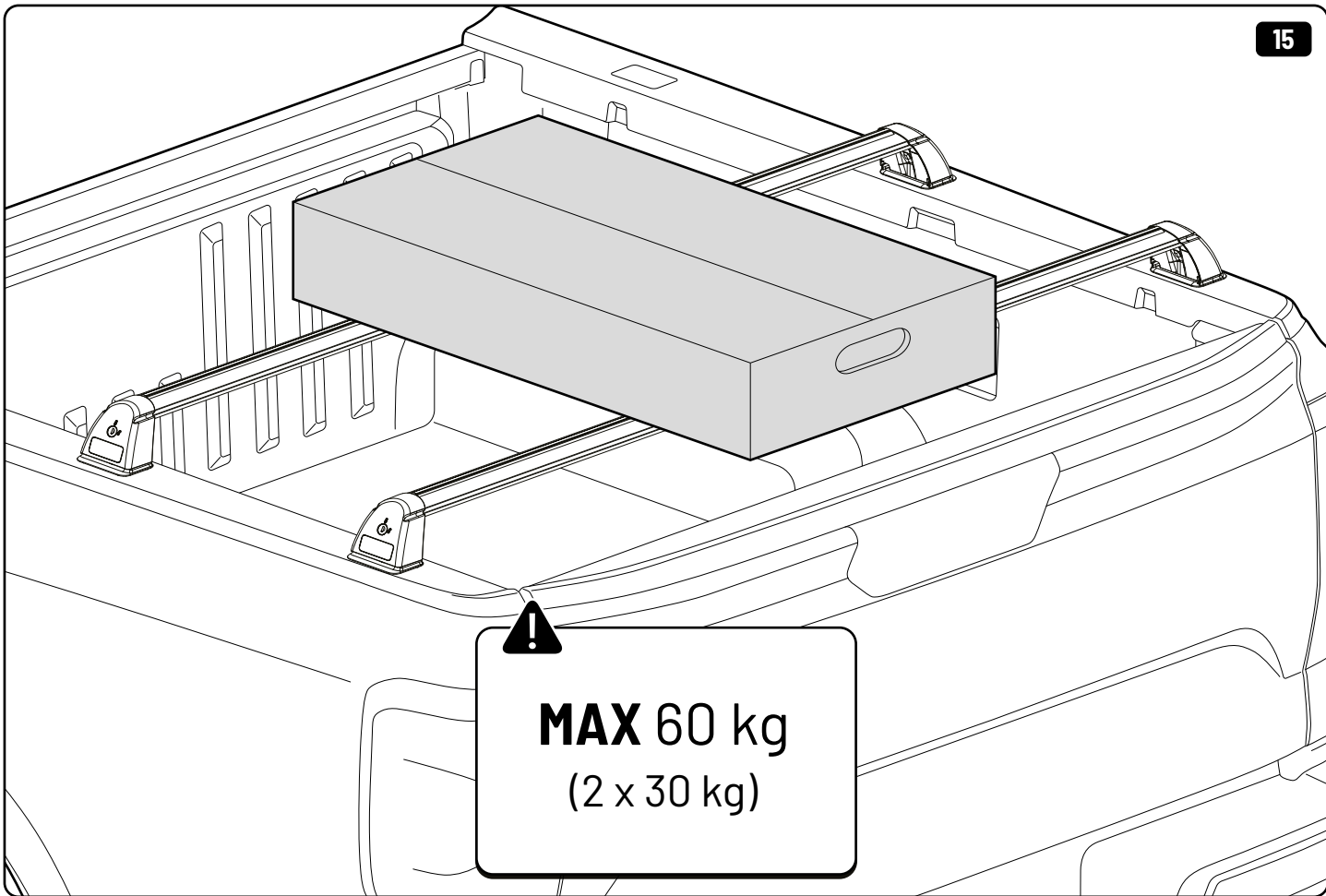
x4

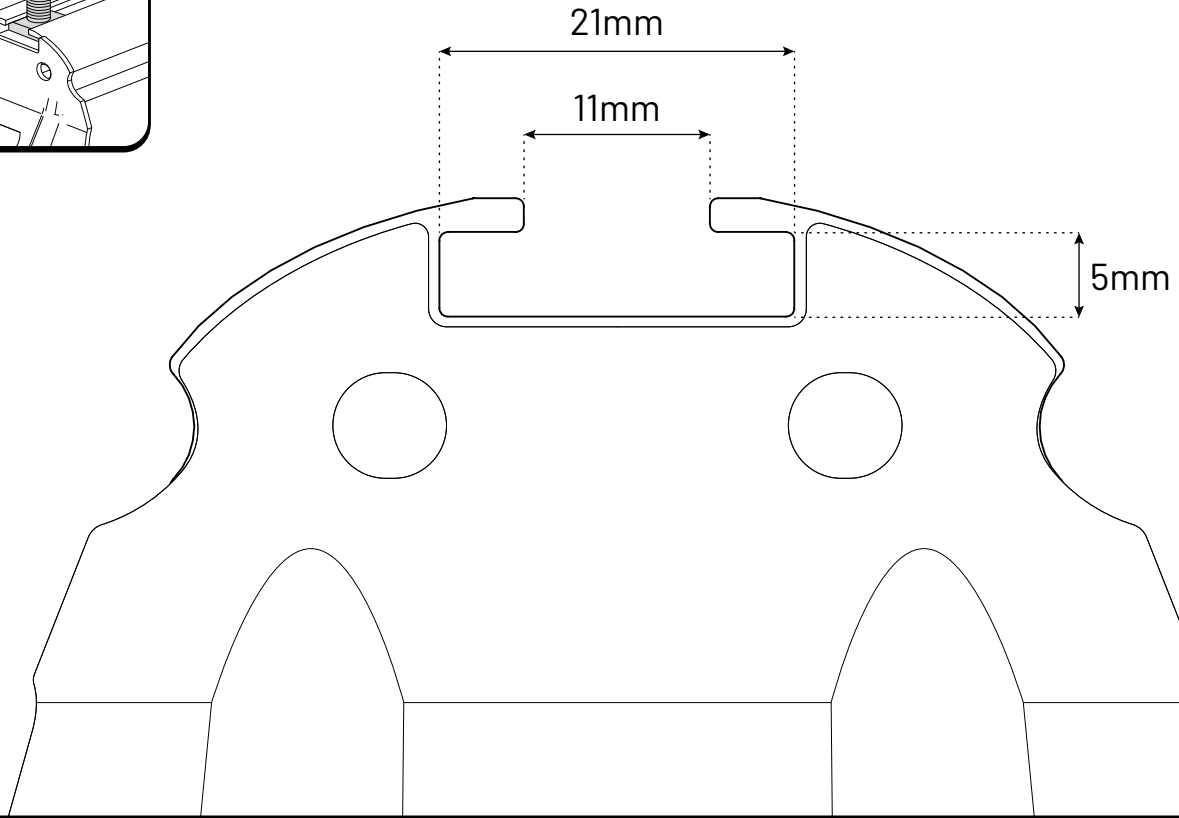
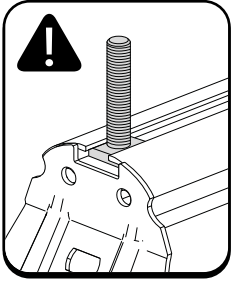


x4











Customer Service +45 4810 2950 (08:00 - 16:00 CET)
Support info@mountaintop.dk
Website www.mountaintop.dk
Address Pedersholmparken 10, 3600 Frederikssund, Denmark

Part number (s)	Model / Year	Cab type (s)	Installation time	Weight
CCS FO10 0B01	Ford Ranger/ 2022 -> TD	All	30 minute(s)	5 kg
VP1WZ 9955106 B (AMP1WJ 550B42 AA)	Ford Ranger/ 2022 -> TD	All	30 minute(s)	5 kg

GB Installation manual	S Monteringsanvisning	D Einbauanleitung
SF Asennusohje	E Instrucciones de montaje	CZ Návod k instalaci
F Notice de montage	H Szerelési utasítás	I Istruzioni di montaggio
PL Instrukcja montażu	P Instruções de instalação	GR Οδηγίες Εγκατάστασης
NL Installatie-instructies	RUS Инструкция по установке	DK Monteringsvejledning
TR Montaj Talimatı	N Monteringsveiledning	RO Instructiuni de instalare