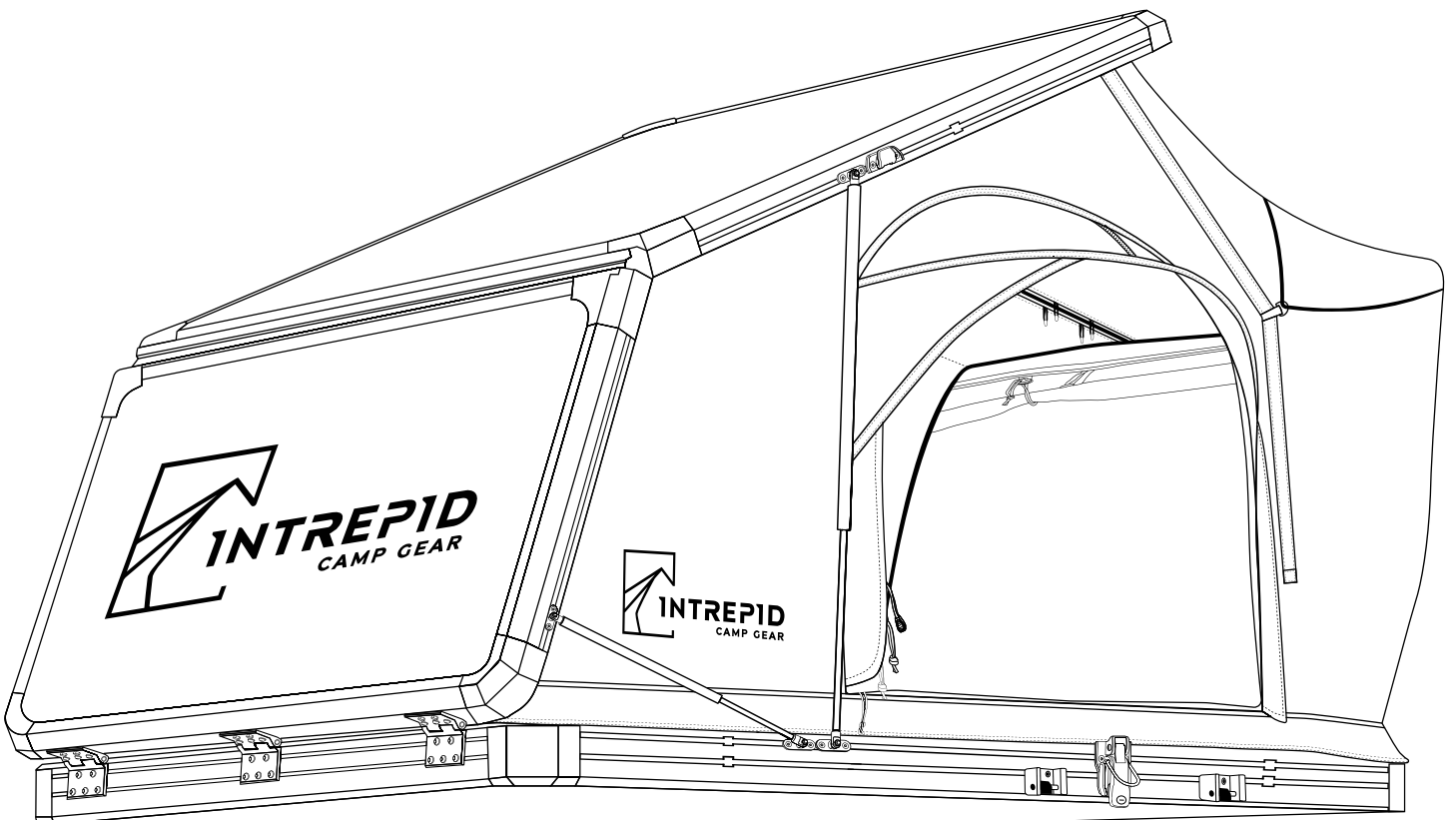




USER MANUAL

GEO 2.5 RTT





NEVER OPERATE THE TENT NEAR AN OPEN FLAMER OR HEAT SOURCE



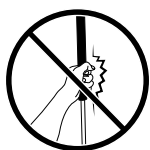
At all times, take precautions that there are no flames, or other heat sources, near the tent fabric or mattress. Neither the tent nor the mattress are fire retardant.



NEVER USE ANY PRODUCT THAT BURNS FUEL IN THE TENT



Deadly fumes produced by stoves, lanterns, grill, heaters, or fire pits can build up inside of the tent and cause potential illness or even death.



Do not pull on the strut to enter the tent, and do not lean on the strut for back support. Any bend in the strut could make the tent non-functional and void the warranty.

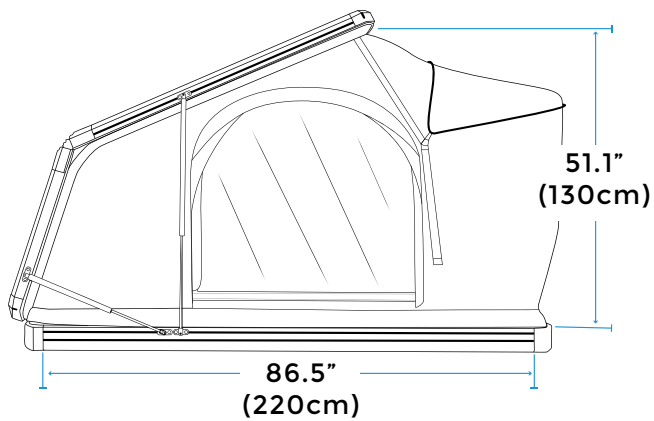
TABLE OF CONTENTS

DIMENSION AND SPECS.....	4
HARDWARE COMPONENTS.....	6
CROSSBAR OR PLATFORM SETUP.....	7
TENT COMPONENTS.....	8
TENT INSTALLATION.....	9
MOUNTING HARDWARE PREPARATION.....	10
INSTALLING RAIL COMPONENTS.....	11
HOW TO OPEN THE GEO 2.5.....	13
SETUP INSIDE THE TENT.....	15
HOW TO CLOSED THE GEO 2.5.....	17
TENT CARE AND SAFETY.....	21

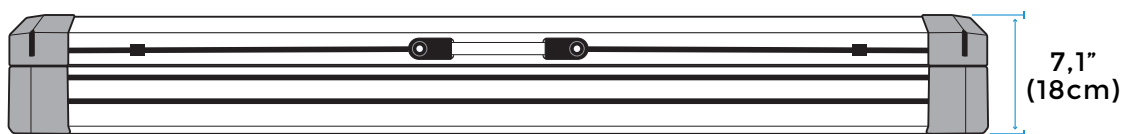
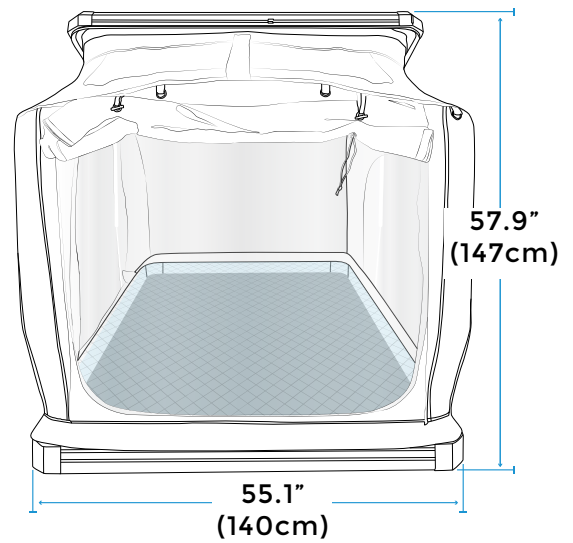
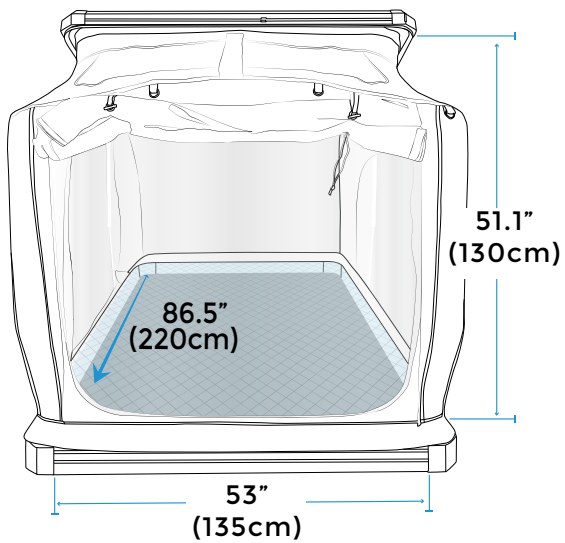
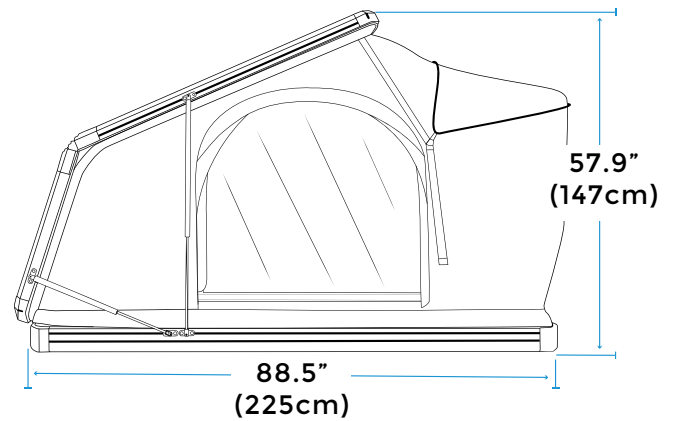
We are not perfect, but we strive to be the best. Your feedback and improvement ideas will help us to reach this goal. Follow the setup instructions to get started, and if you need any help along the way, email us at support@intrepidcampgear.com.

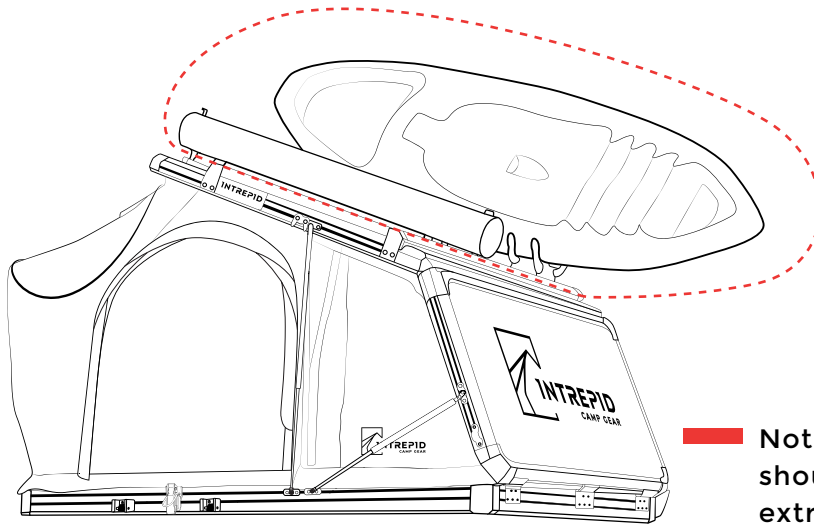
DIMENSIONS AND SPECS

INTERIOR DIMENSIONS



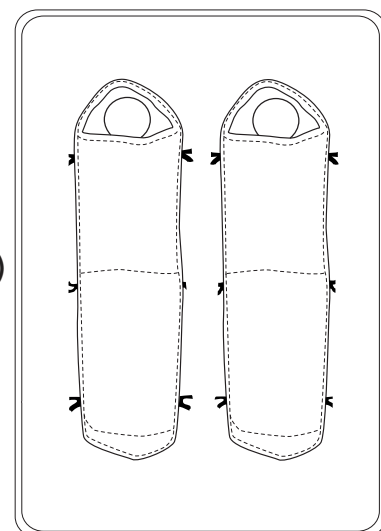
EXTERIOR DIMENSIONS





Note: Heavy-duty crossbars should be used when adding extra attachments on top.

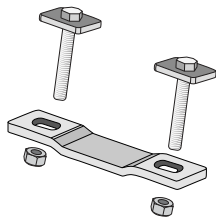
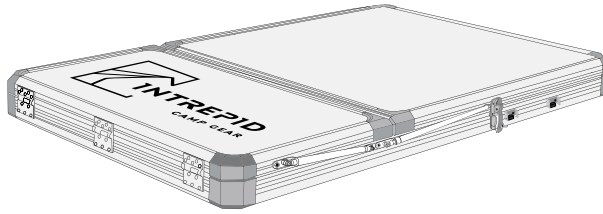
- | | |
|-----------------------------|---|
| Weight | <ul style="list-style-type: none"> • Tent: 67.9kg (frame & fabric, excluding all detachables) • Condensation mat + Mattress: 7kg • Ladder: 7.5kg |
| Interior Dimension | L x W x H: 86.5" x 53" x 51.1" (220cm x 135cm x 130cm) |
| Exterior Dimension | L x W x H: 88.5" x 55.1" x 57.9" (225cm x 140cm x 147cm) |
| Floor | Honeycomb aluminum |
| Tent Fabric | <ul style="list-style-type: none"> • High tenacity rip-stop nylon fabric • Waterproof, 300D Polyester Double Ripstop w/water repellent (DWR grade 5) coating • Flame retardant treatment • Ultra-violet resistant, 3000mm water resistance • Skin fabric inside top and front panel:
TC fabric (Polyester + Cotton) 210g W/R |
| Mattress | 2.5" thick mattress |
| Seasons | 4 Seasons |
| Sleeping Capacity | 2 Adults, 1 child |
| Height (Closed/Open) | 7.1" / 57.9" (18cm/147cm) |



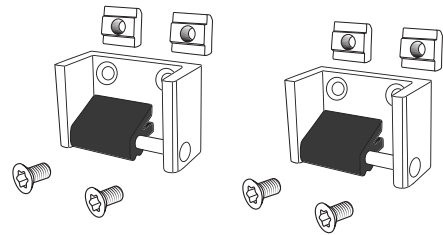
HARDWARE COMPONENTS

Your Geo 2.5 comes with attached latches, a ladder, and a mounting kit with:

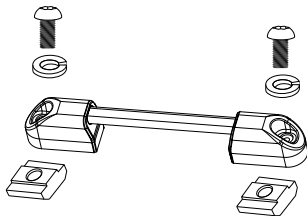
1. Tent | x 1



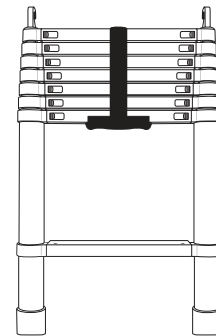
2. Vehicle connection brackets
Stainless steel lock plates | x 6 sets



3. Ladder bracket
(1 set equipped on side door) | x 1 set
Other Parts included



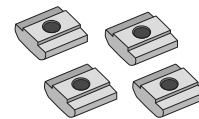
4. Handle + bolts + spring washer | x 1 set



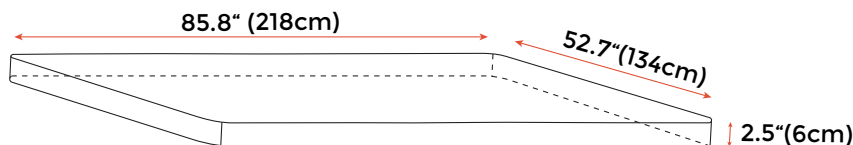
5. 8 steps ladder 92" (2.3m) | x 1



6. Torx plus T30 IP for bolt M13 slim
combination spanner | x 1 set



7. Additional M6 T-nut | x 4 pcs

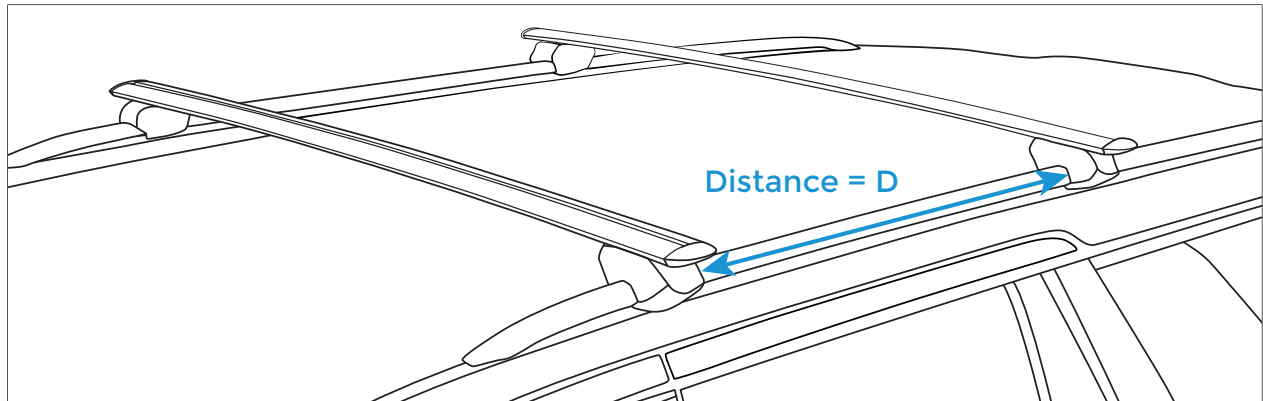


8. Mattress (Included air-mesh) | x 1

CROSSBAR OR PLATFORM

ADJUSTING THE CROSSBARS

Manufacturer recommendation: distance between crossbar should be **36" (91cm) minimum** for more stability while driving. This distance is also recommended between mounting points on platform racks.



PLATFORM RACKS:

Platform racks can also be used, but may require alternate installation rails. Popular platform racks like Prinsu or Pioneer racks may require brand-specific mounting hardware or alternate methods of installation.

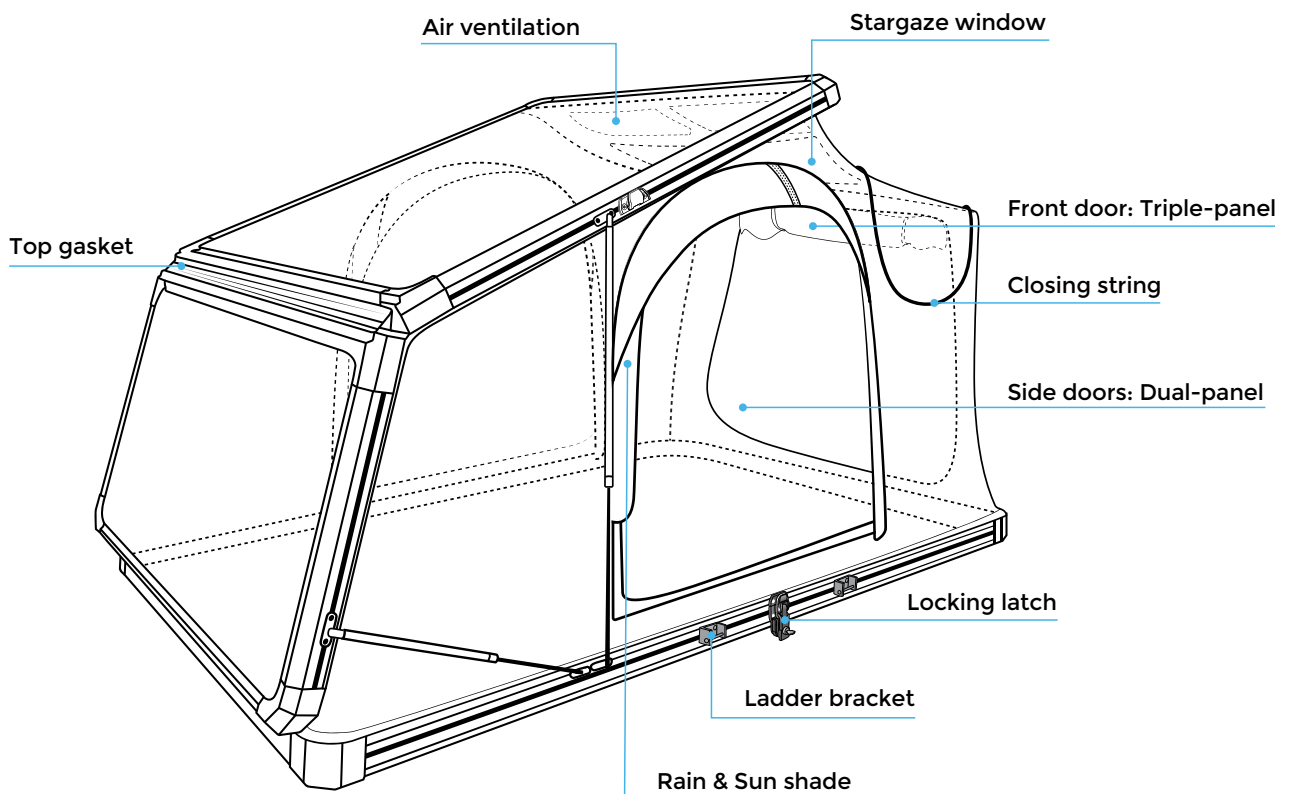
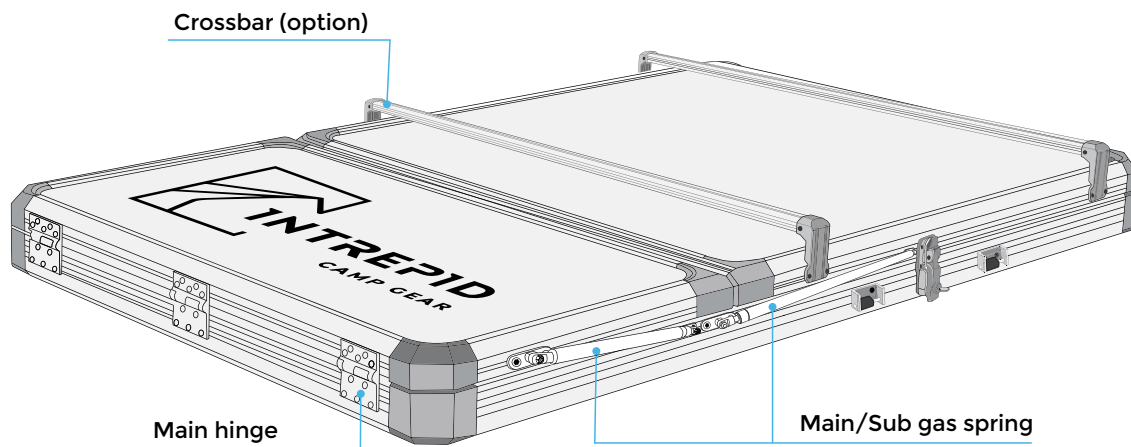
Any additional accessories on crossbar should have a vertical load specification.

Resources like etrailer.com, Rack Starz, and Rack Attack have experts on site that will be available to help assist you find the right rack system for your vehicle.

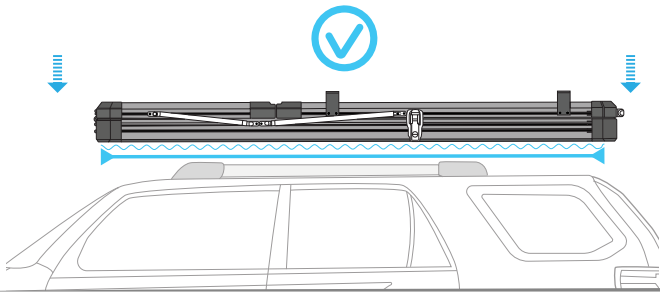
CROSS BARS:

We recommend you purchase heavy-duty, aftermarket crossbars with a dynamic weight rating of at least 176lbs (80kg). Be sure to check your system's weight capacity and factor in any other equipment or accessories you plan on mounting, to ensure it meets the crossbar's weight recommendation and original car maker's roof rail limit.

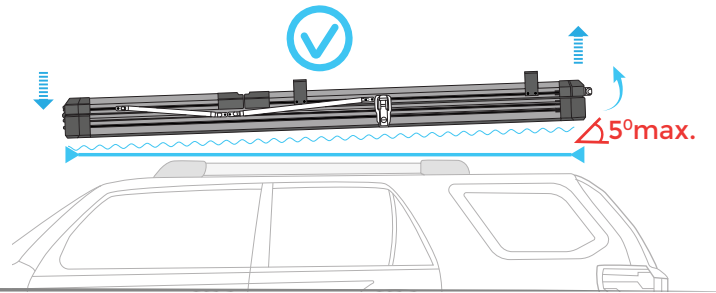
TENT COMPONENTS



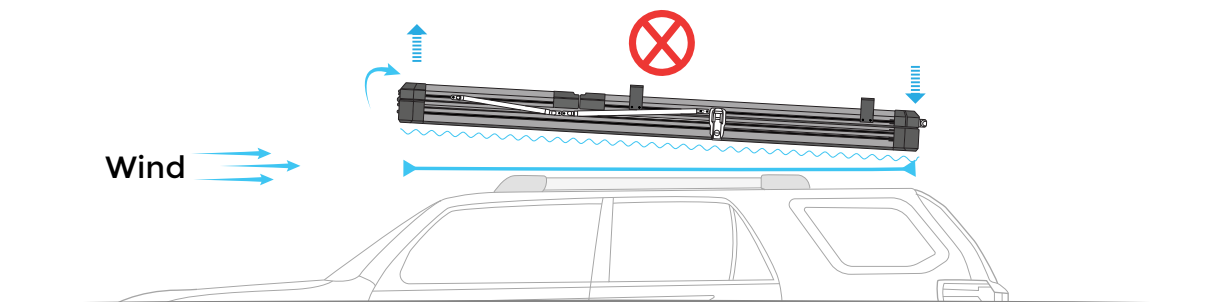
TENT INSTALLATION



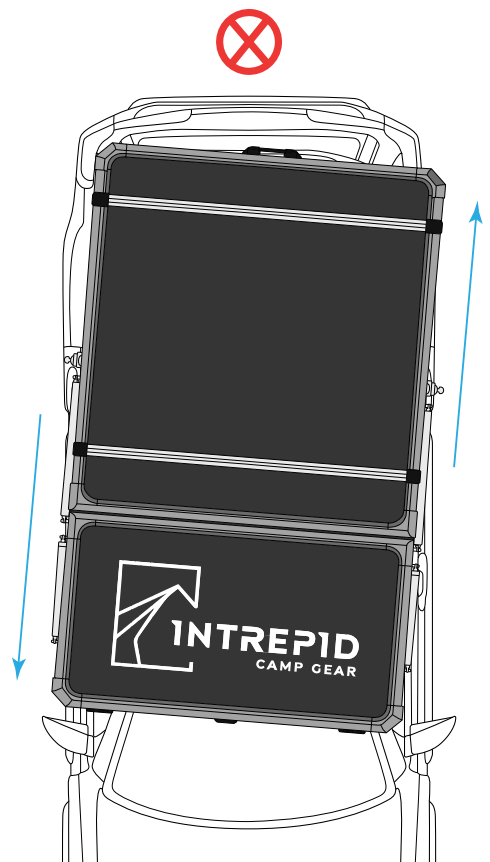
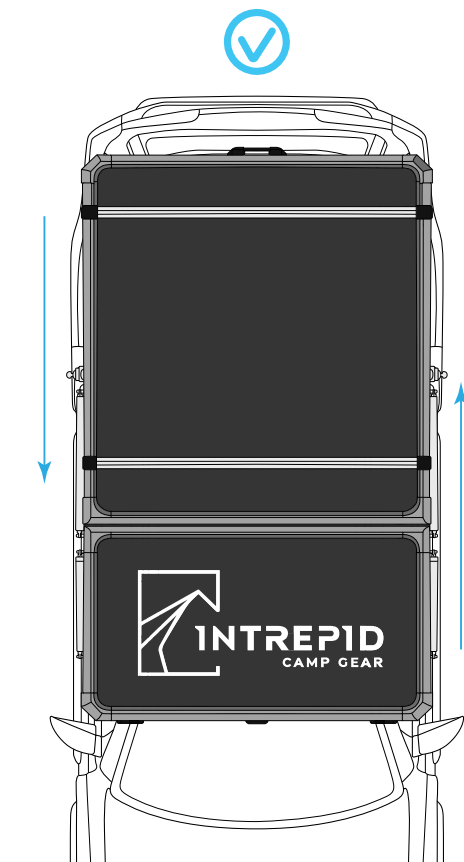
Parallel with the crossbar.



Front slightly down (down force). $\Delta 5^\circ \text{max.}$



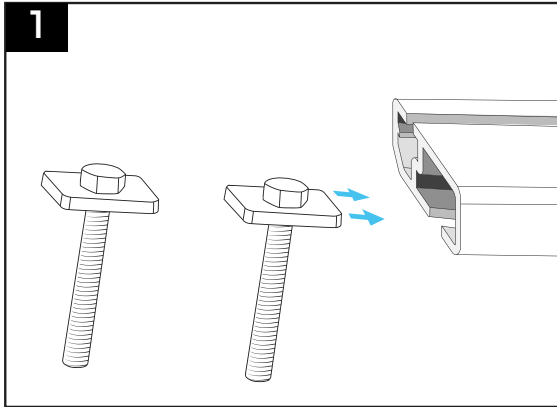
Back side down (drag force).



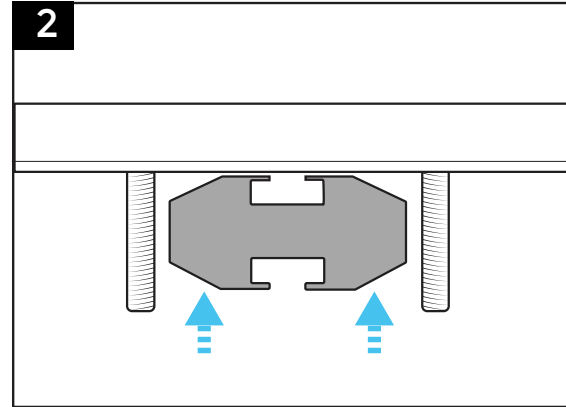
Parallel with the vehicle's body.
Check balance from front & back side.

HARDWARE PREPARATION

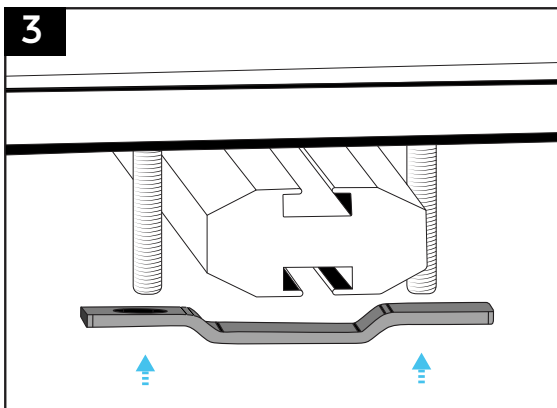
Prepare 4 bottom locking sets to assemble (2 extra or optional sets).



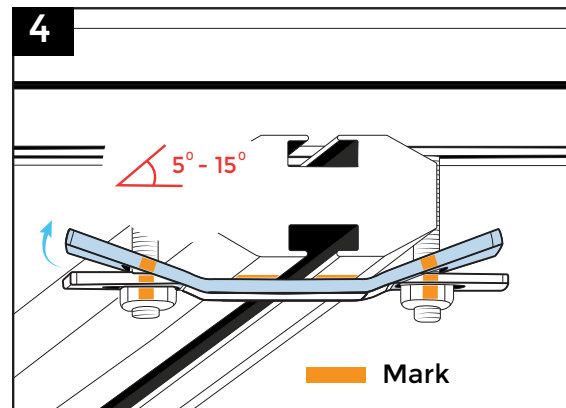
Insert x4 M8 bolts into the C tube at the bottom of tent.



Adjust x2 M8 bolts on the 2 sides of the cross bar as the picture shows.



Insert the lock plate to the M8 bolts.



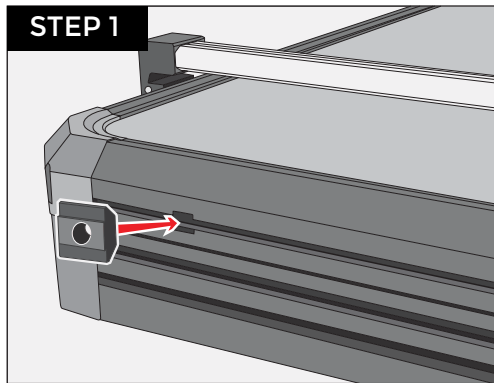
Tighten x2 M8 nuts into the M8 bolts within a 5°-15° plate angle (bolt might break when untightening nut). Mark the installation position, it will help monitor the original position.

IMPORTANT: Be sure to check the hardware (roof rail, crossbar, lock plate, etc.) after 10-20 miles after installation and after every trip off road to be sure it's still secure.

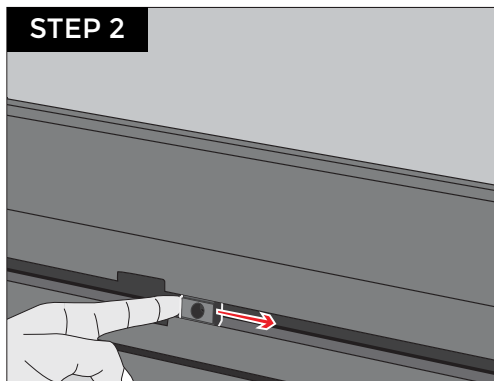
INSTALLING RAIL COMPONENTS

INSTALL THE HANDLE

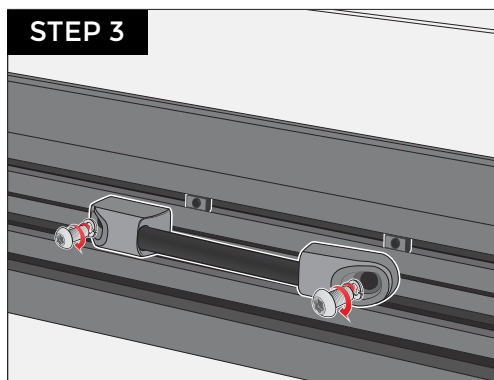
We recommend installing your ladder hooks and handle on your vehicle after it is mounted, and the handle should be placed in front of the main door (balanced push-up force).



Insert x2 M6 T-Nuts into the groove of the top frame.



Move it to the position where you want to install the handle.



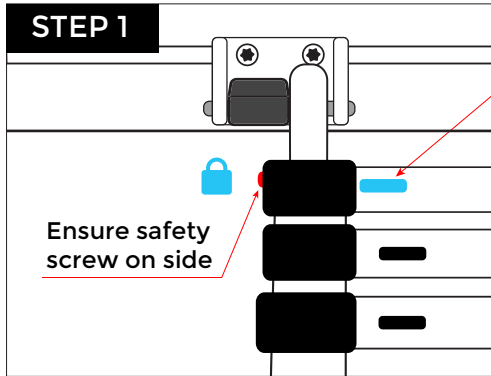
Install the handle, x2 spring washers and x2 M6 bolts, and tighten the bolt.

Note: T-nuts left unused in the groove will make more noise.

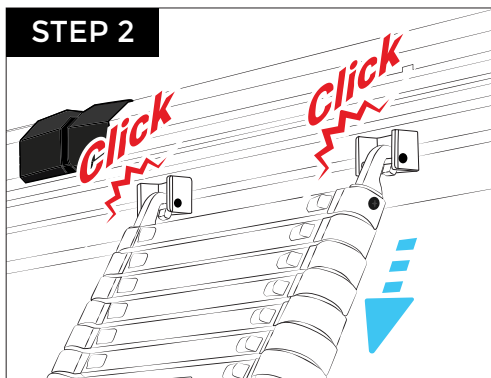
INSTALLING RAIL COMPONENTS

INSTALL THE LADDER

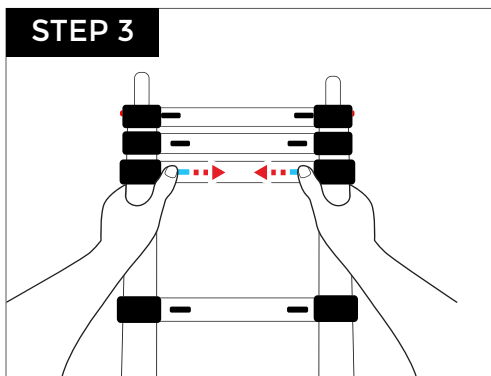
Hook the ladder to the bracket properly and adjust the angle so it is stable, and the lock is securely engaged (be sure to adjust height and angle, then lock).



First button:
Locked for hook fixation
(all-time lock/ screwed from side for safety).



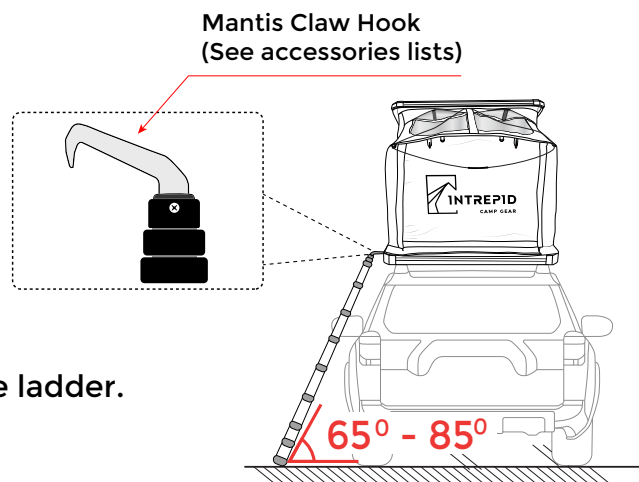
Pull down to open the ladder.



Hold outside and press the button to close the ladder.

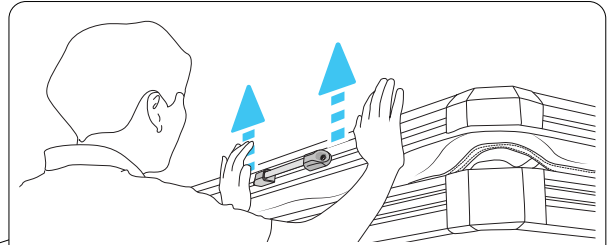
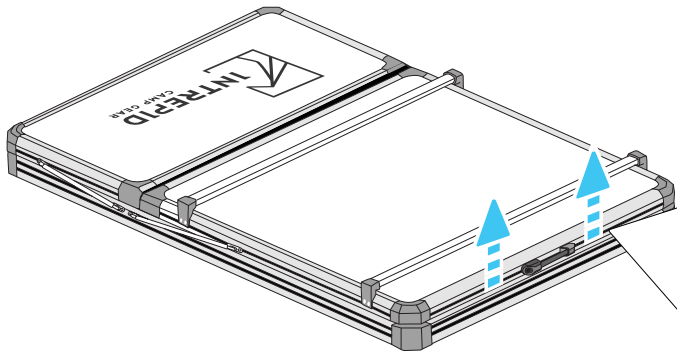
For sliding-door vehicles, recommend to use Mantis Claw Hook for ladder stand-off.

Note: Please see the caution labels on the ladder.



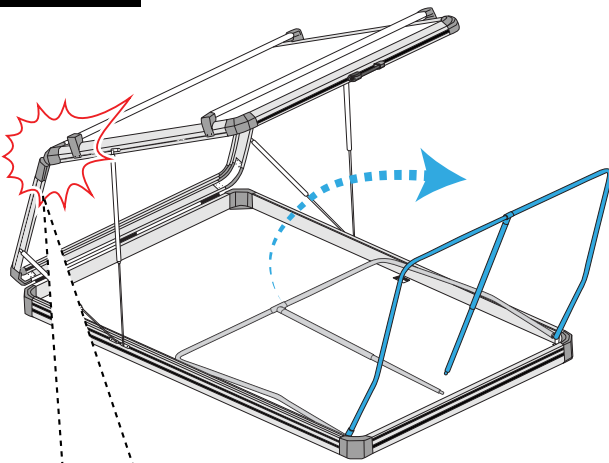
HOW TO OPEN THE GEO 2.5

STEP 1



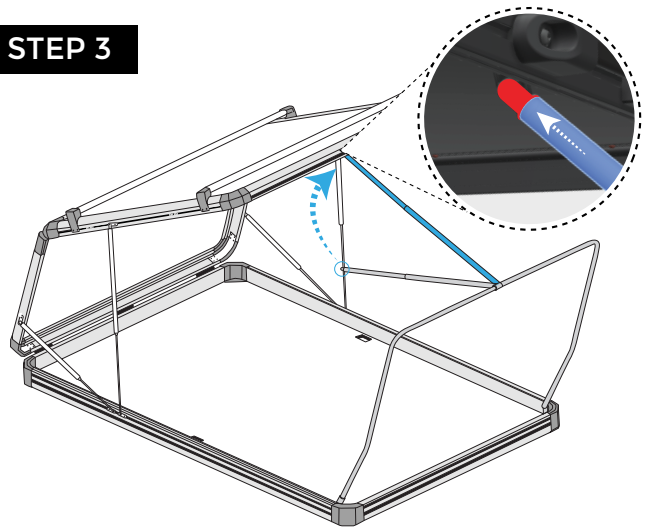
Push up gently, and the gas spring slowly lifts the tent into its final position (giving some time for air intake).

STEP 2



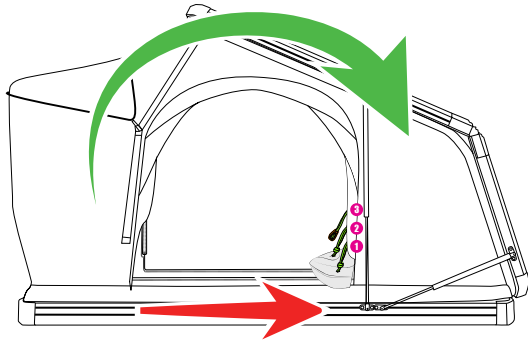
A strong and quick lift up will damage the frame and hinge.

STEP 3

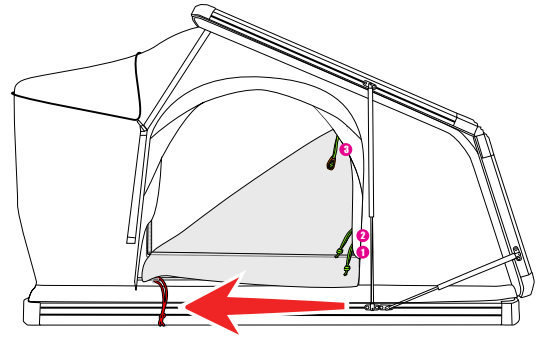


HOW TO MANAGE GEOMETRIC DOOR

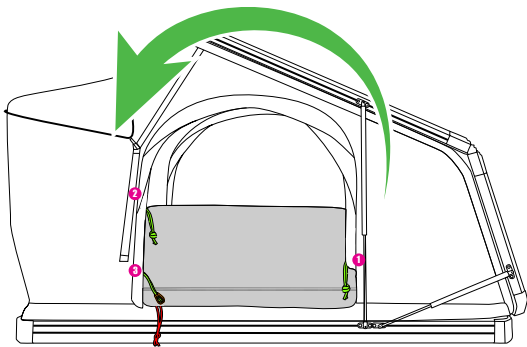
MULTIPLE DOOR-OPENING WAYS, FOR EXAMPLE:



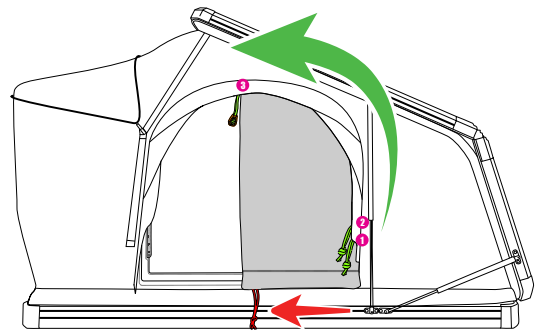
1. Completely open.



2. Full open (don't need to fold the door).

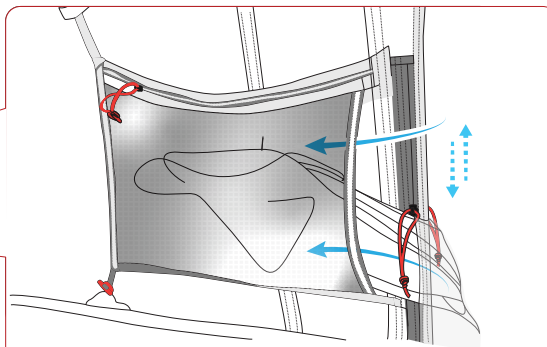
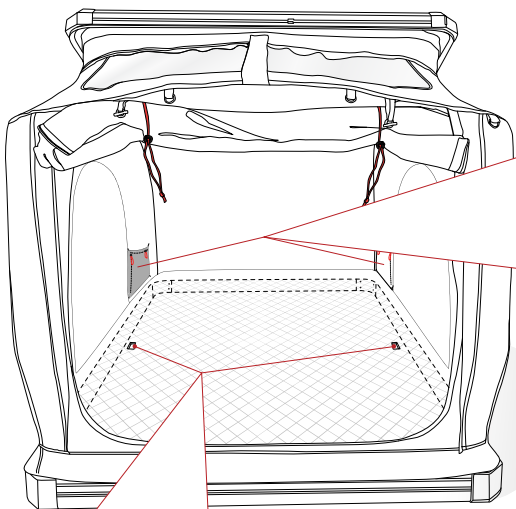


3. Half top opening (ventilation) for raining season.

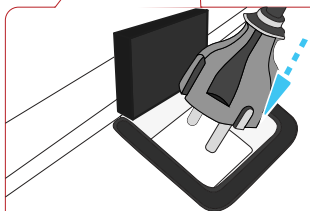


4. Half side opening for snowing season.

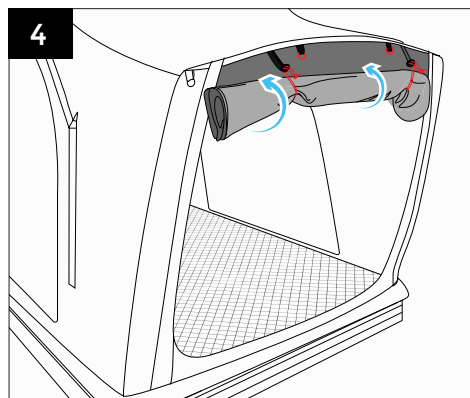
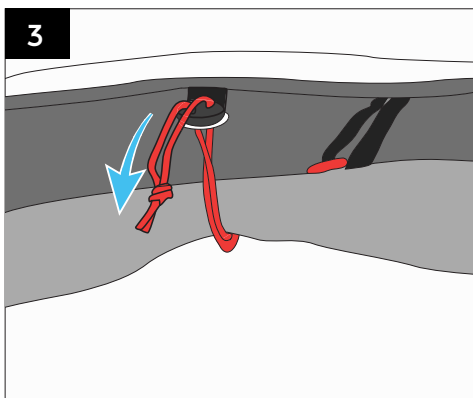
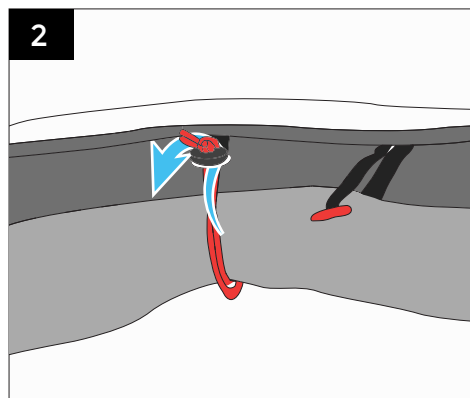
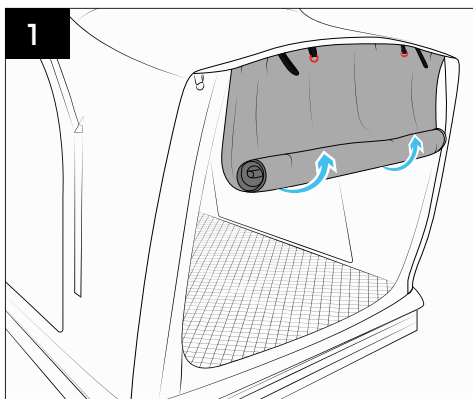
SETUP INSIDE THE TENT



The two mesh pockets included: zip up and tuck the door fabric inside, then zip down.

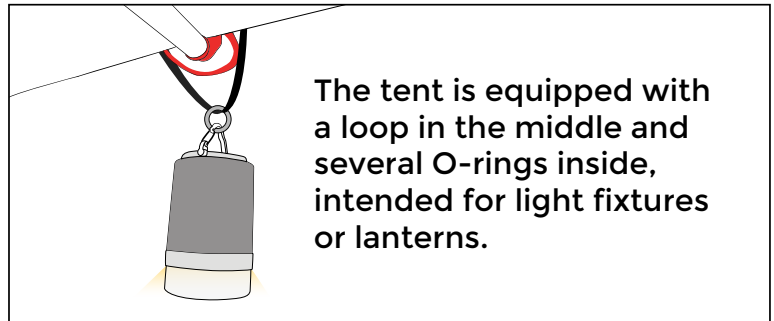
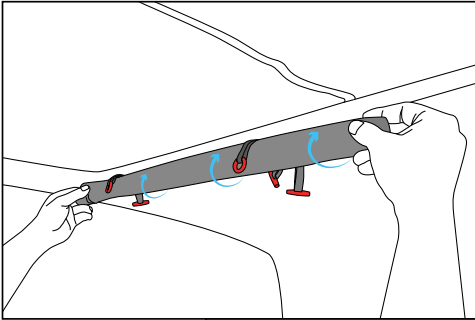


The tent has two small holes on each of its two sides, through which a charging cord can be entered. When not in use, block with the included foam.

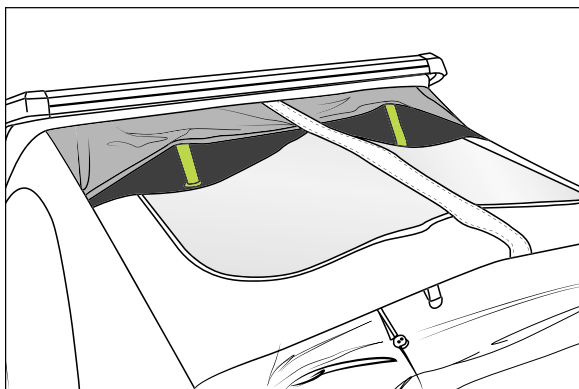
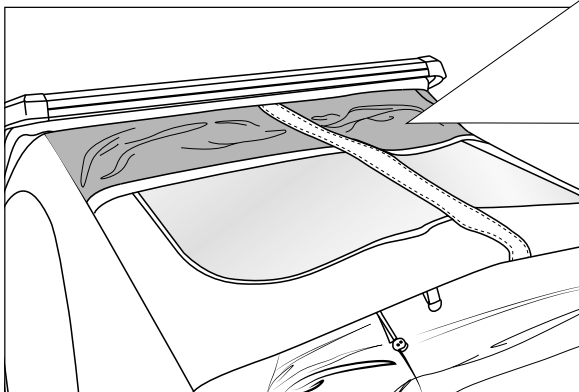
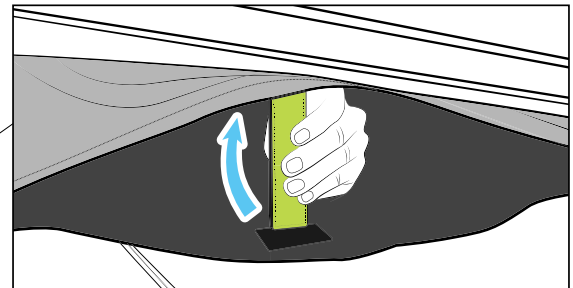
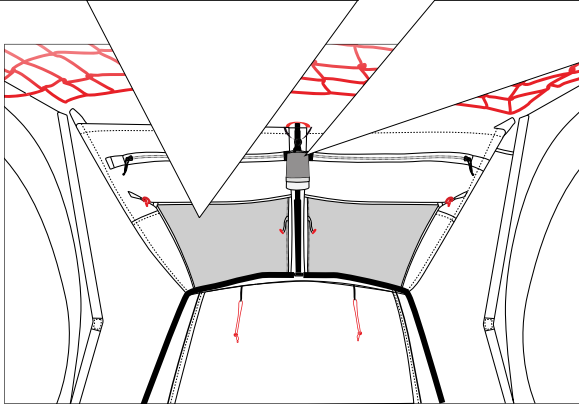


Front door: The three large windows can be wrapped up and tied neatly with the string all together or single.

SETUP INSIDE THE TENT



The tent is equipped with a loop in the middle and several O-rings inside, intended for light fixtures or lanterns.

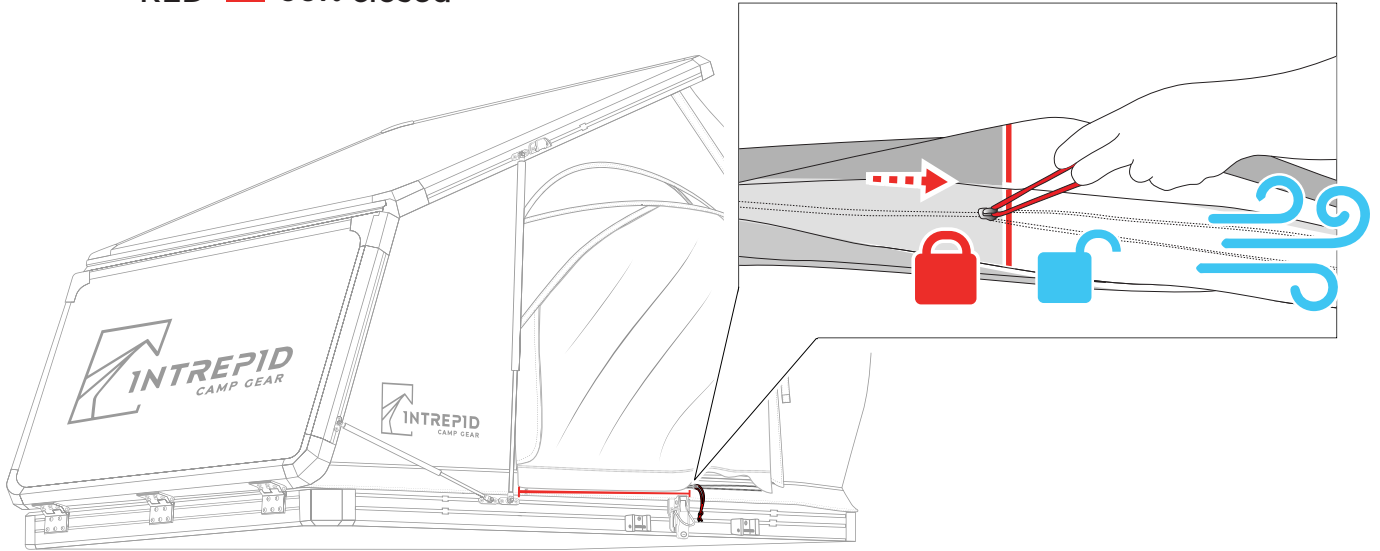


Put up the ventilation support bars - **Should fold before closing** otherwise it will dent on TPU window.

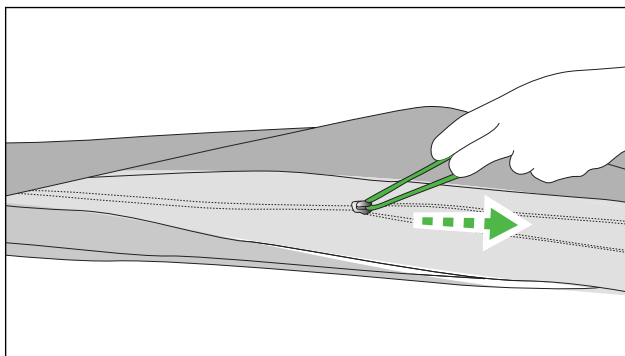
HOW TO CLOSE THE GEO 2.5

Leave the bottom zipper puller (red) close 50%, which prevent water inside when heavy rain.

RED ■ 50% closed



LIME ■ 100% closed

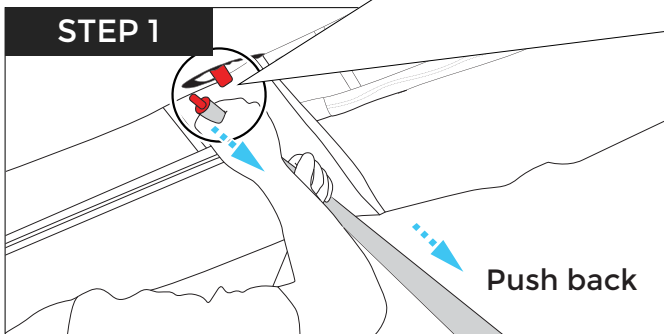
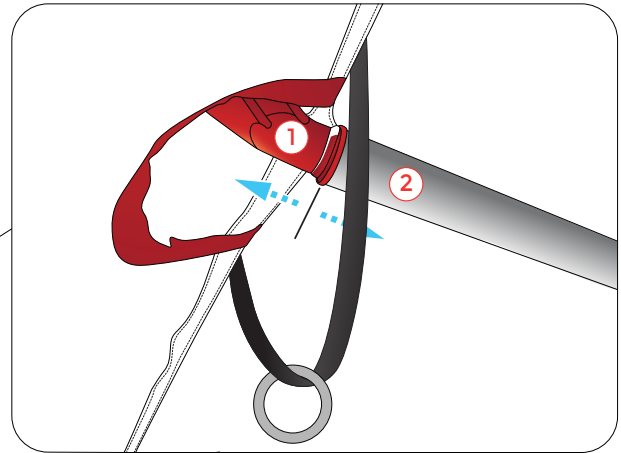


Close before folding

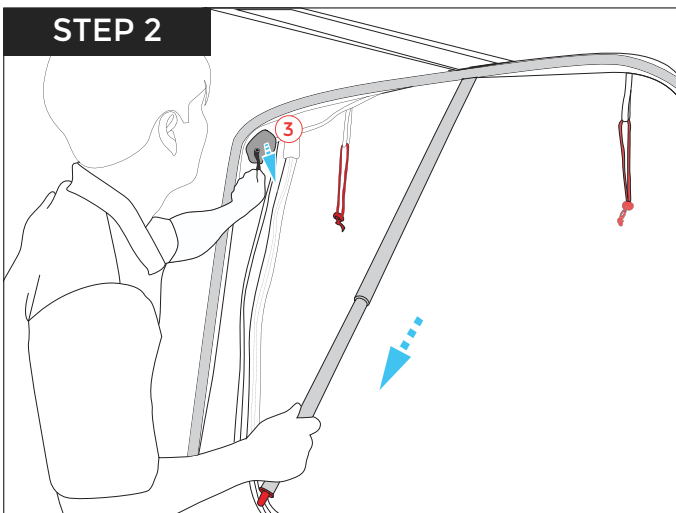
- 1 per side door
- 2 for front door
- 2 ventilation support bar

HOW TO CLOSE THE GEO 2.5

1. Holder
2. Support bar
3. Top ventilation support bar
 - Should fold before closing otherwise it will dent on TPU window



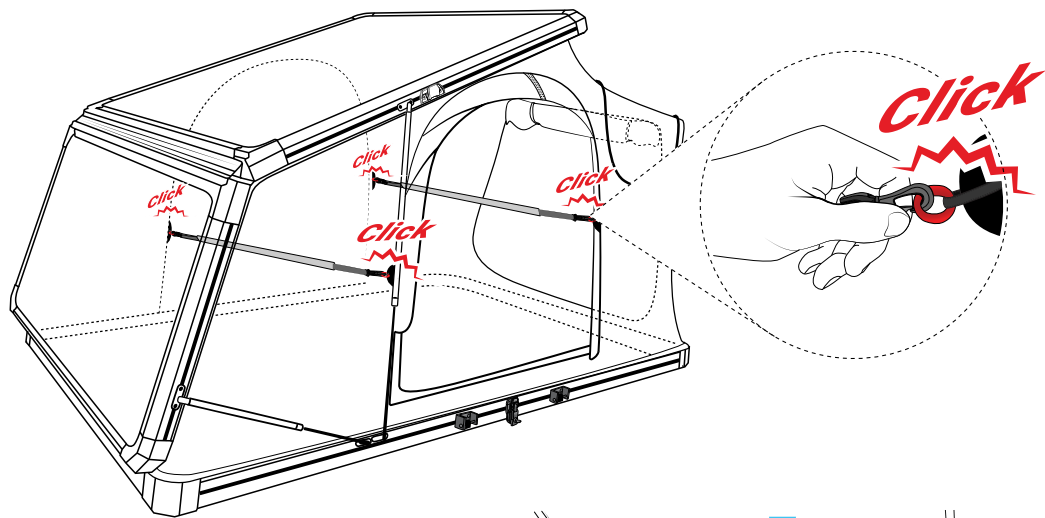
Remove the door frame support bar, and drop it back after you close both side windows.



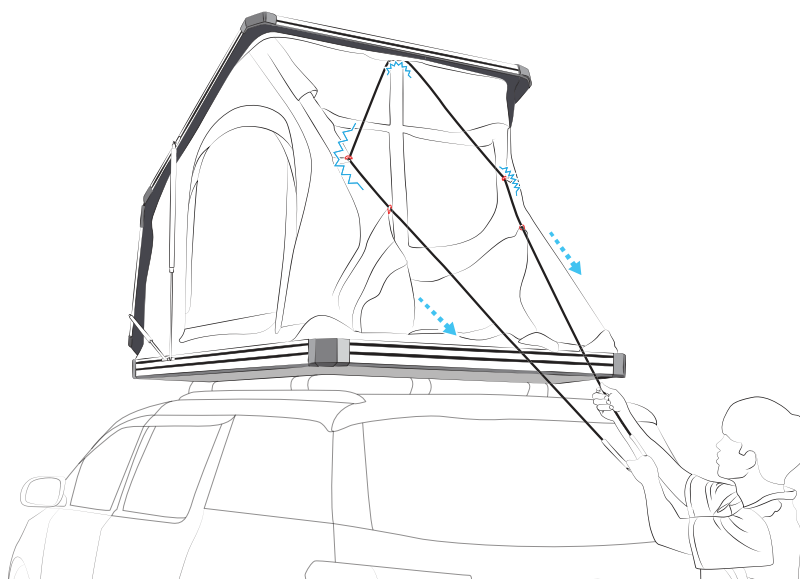
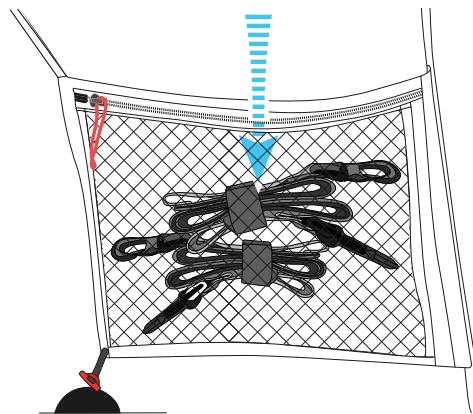
Next, take off the door frame, as shown in the picture, and lay it on the mattress gently.

Note: Be sure to put the door frame support flat down the mattress; otherwise, it will stamp the mattress.

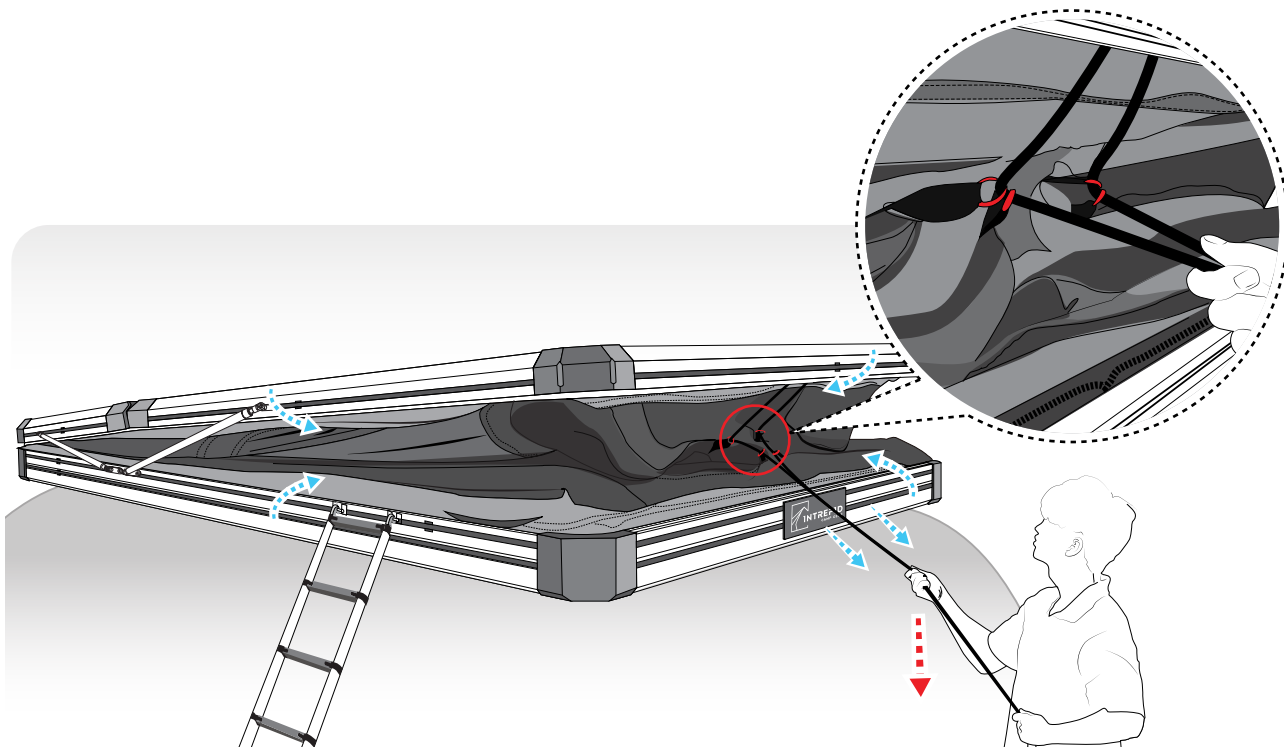
The inner connector (2 elastic band system) helps the skin to fold neatly when you close the tent.



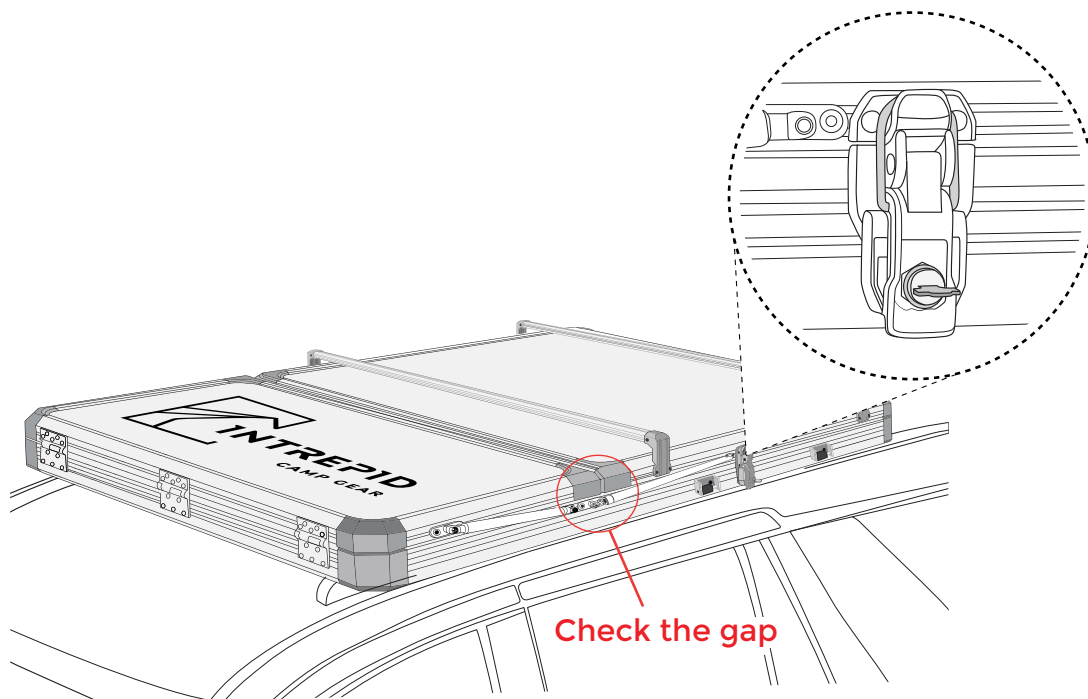
You can wrap it and store it in the pocket when not in use.



Grab the string and pull to fold the tent. It is recommended that you not close it too quickly, so the inner air has enough time to out.



When it's nearly closed, pull the puller inside and tuck in the skin from three sides, then put the string inside the tent.



After tent is closed, be sure to lock latches on both sides of the tent and check side gaps (water penetration path) on both sides.

TENT CARE AND SAFETY

TENT CARE

While it is not possible to make a tent that is 100% waterproof, the GEO 2.5 RTT is designed to achieve maximum water resistance. We suggest the following precautionary measures to aid in this.

- Recommend to zip up based on closing guide; this will help to prevent water inside tent from effecting the mattress and skin.
- If the tent has been exposed to long periods of rain or snow, periodically open the tent for a few hours to evaporate any droplets and moisture.
- At least 1 or 2 days before use, open the tent and vents to make sure no moisture has accumulated before you leave for your next adventure.

SAFETY:

- Check hardware after 10-20 miles of initial driving and after every trip offroad to ensure every connection is secured.
- If any noises or vibrations are heard while driving, check the angle of tent with manufacturer standards and the tents placement to ensure its level. If the back side of your tent is lower than the front, this can create drag force that can generate stress on cross bars at high speeds.
- Gas struts are NOT to be used as handles. Doing so may cause gas struts to bend or gas leaking. Breaks of this kind are user error, not covered by our warranty policy.
- Keep gas spring rod away from dust, dust and rust may cause gas leakage.
- Before each camping season, or after prolonged use, be sure to check all the screws underneath the tent along the frame. Screws may loosen over time due to vibration and gravity. Screws should be snug; but not overtightened. If you have any concerns please contact Customer Service at Intrepid Camp Gear.



intrepidcampgear.com



<https://intrepidcampgear.com/>