

## FITMENT INSTRUCTIONS



AMAROK GEN 2

DOUBLE CAB

XTREME, XPEDITION &amp; RHINOLITE

**Important Notice:**

Installation of a J-brace bracket by a Ford-approved fitment center is compulsory before installing a canopy to ensure proper bin reinforcement.

## FITMENT KIT CONTENTS

DESCRIPTION	QUANTITY	ILLUSTRATION
• M8x25 Hexagonal Bolt	8	
• M8x30 Hexagonal Bolt	8	
• M8 Nylock Nut	8	
• M8 Body Washer	8	
• M8 Flat Washer	16	
• Cab Side Bracket LH	1	
• Cab Side Bracket RH	1	
• Tail Gate Bracket LH	1	
• Tail Gate Bracket RH	1	

## REQUIRED TOOLS

DESCRIPTION	ILLUSTRATION
• T40 / T45 Torx Key / Star allen key	
• 8mm Spanner	
• 8mm Socket Wrench (Optional)	
• 13mm Spanner	
• 13mm Socket Wrench (Optional)	

## INSTALLATION TIME &amp; CARE INSTRUCTIONS

Approx. 45 Minutes (Excluding the removal of any accessories from load bin)

- ✓ Before installation, ensure that your hands and workwear are clean from oil, grime & dirt.
- ✓ Ensure that the correct tools and PPE are used whilst installing the canopy. Clean the rear cab window before fitting the canopy.
- ✓ Torque all M8 fasteners to approx. 28Nm.

## FITMENT STEPS

## STEP 1

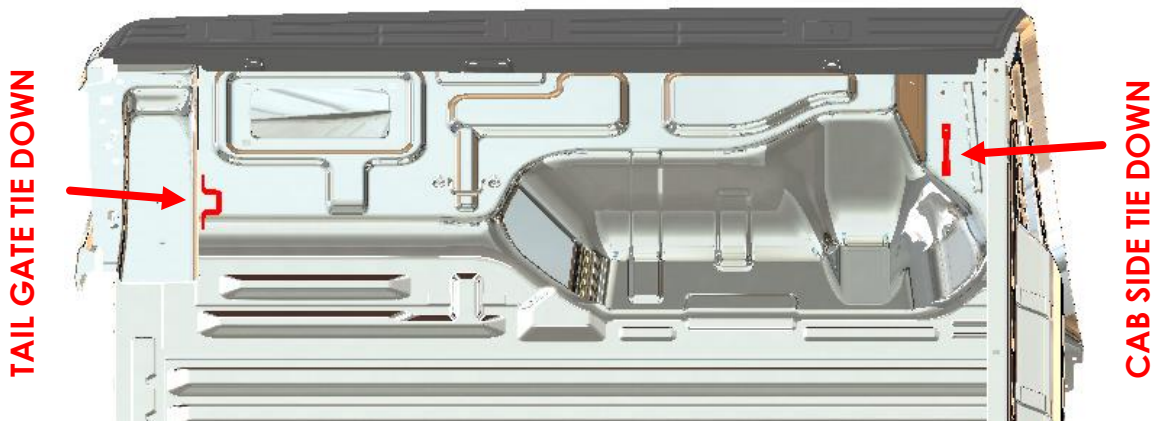
- ✓ Unpack all components and hardware from packaging, ensure that all components are accounted for as indicated above.

## STEP 2

- ✓ Remove any cab guards, roll bar, tonneau cover, sports bar etc. from vehicle.

## STEP 3

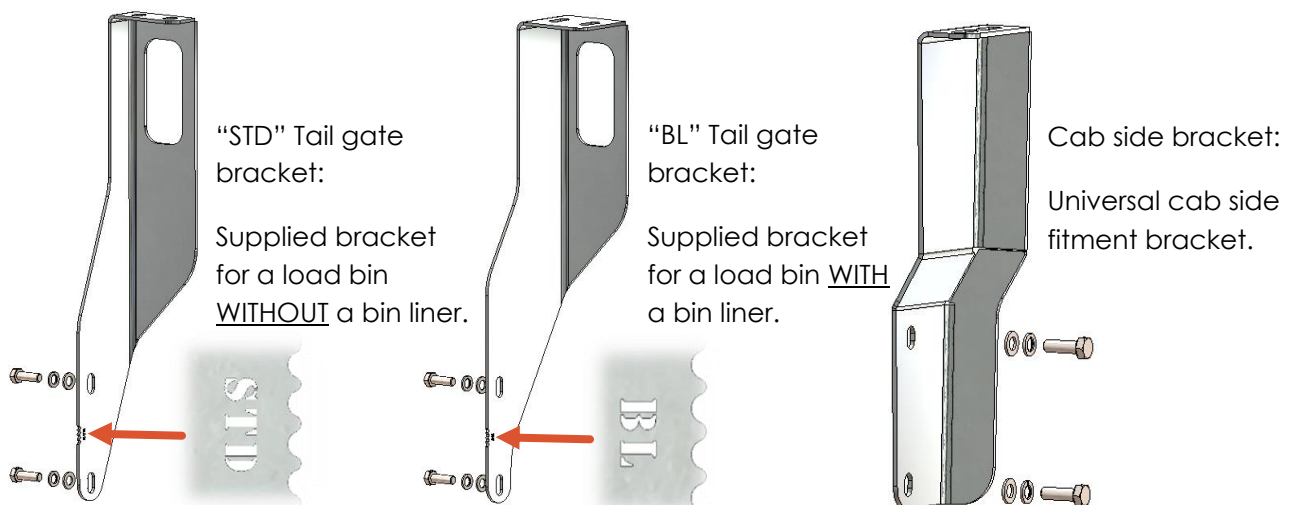
- ✓ Remove the indicated factory fitted tie-down brackets with a T40 / T45 Torx key.



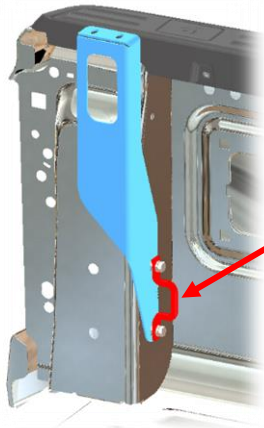
Remove the tie-down brackets on both sides of the vehicle.

- ✓ Identify and fit the supplied cab side and tail gate side brackets to the tie down points with their respective bolts. Hand tighten to keep each bracket in place.

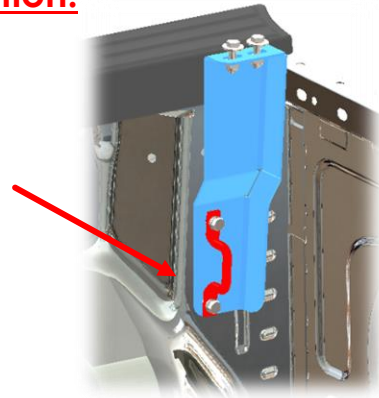
Fast-set required to fix each fitment bracket to the abovementioned tie down points: 2 x M8 spring washers, 2 x M8 flat washers, 2 x M8 x 25 hexagonal bolts.



### Fitment bracket orientation:



**\*NOTE:**  
The factory fitted tie down brackets can be placed over the fitment brackets.



#### STEP 4

- ✓ Ensure that the rear cab window of the vehicle is clean, before loading the canopy onto the load bin.
- ✓ Load the canopy onto the load bin, space evenly to ensure that the fitment holes on the canopy and the fitment brackets align.
- ✓ When the canopy is resting on the load bin, adjust the brackets to achieve a gap of approx. 6mm between the bottom of the canopy fastening surface and the bracket top surface. (Fig2.)
- ✓ Secure the brackets to the load bin tie down points by fastening the bolts slowly & securely. Torque each fast set to 25Nm.
- ✓ Secure the canopy to the brackets using a M8 x 30 Hexagonal bolt and M8 body washer from the top, with a M8 flat washer and M8 Nylock nut from the bottom. Tighten all bolts until the canopy fastening points is flat against the fitment brackets. Torque each fast set to 25Nm.

FIG 1.

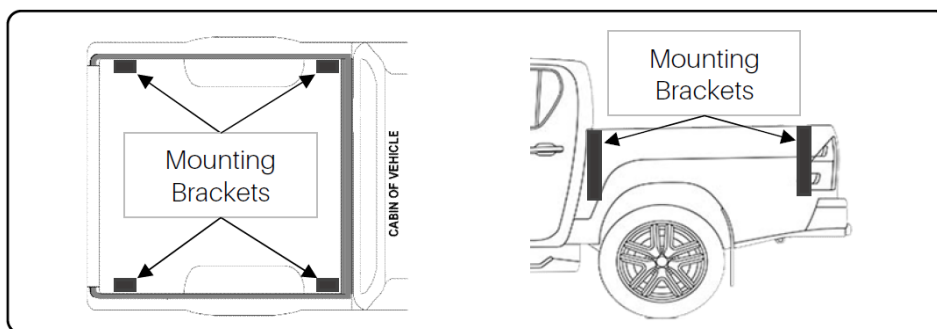
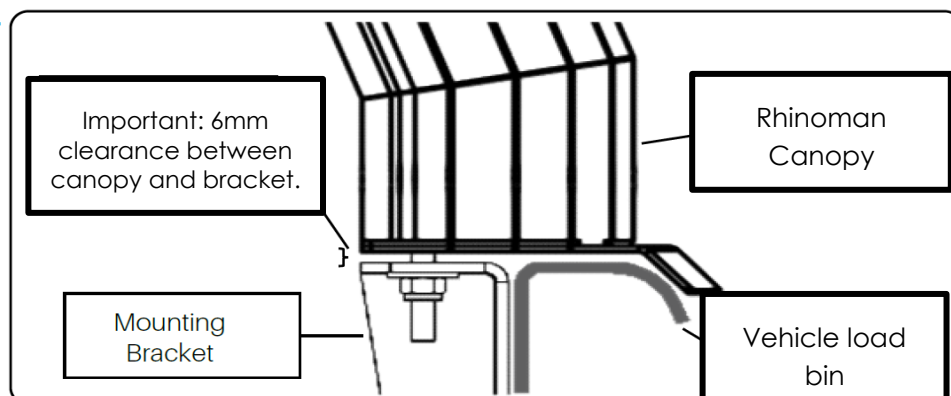


FIG 2.





## STEP 5

- ✓ Trim sealing rubber on tailgate with knife or scissors to suit.
- ✓ Confirm alignment of canopy and the rubber seal all around.
- ✓ Check all bolts one final time.
- ✓ Enjoy your NEW Rhinoman canopy.

## WARRANTY SERVICE &amp; CARE GUIDE

- ✓ All Rhinoman products carry a comprehensive 2-year factory warranty on the Aluminum welded frame, and a 1-year warranty on all mechanical components.
- ✓ **PLEASE NOTE:** Your canopy will only be covered under warranty if it has been fitted by an approved Rhinoman fitment center or agent.
- ✓ Please do inspect the fasteners on the fitment brackets every once in a while, to ensure that all bolts are still tight and properly secured.

SHOULD YOU HAVE ANY ENQUIRIES ABOUT THE FITMENT, FEEL FREE TO CONTACT US



010 010 0060



SALES@RHINOMAN.CO.ZA



RHINOMAN.CO.ZA